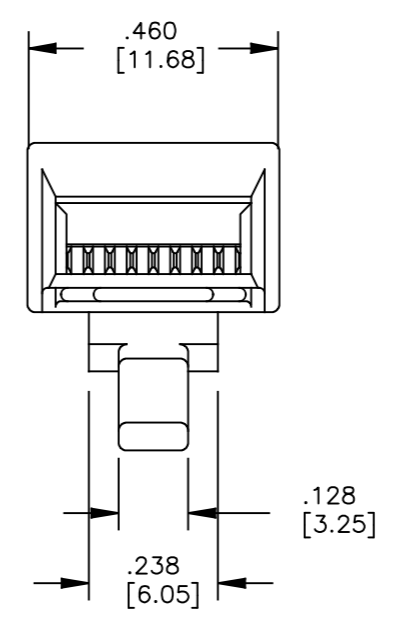
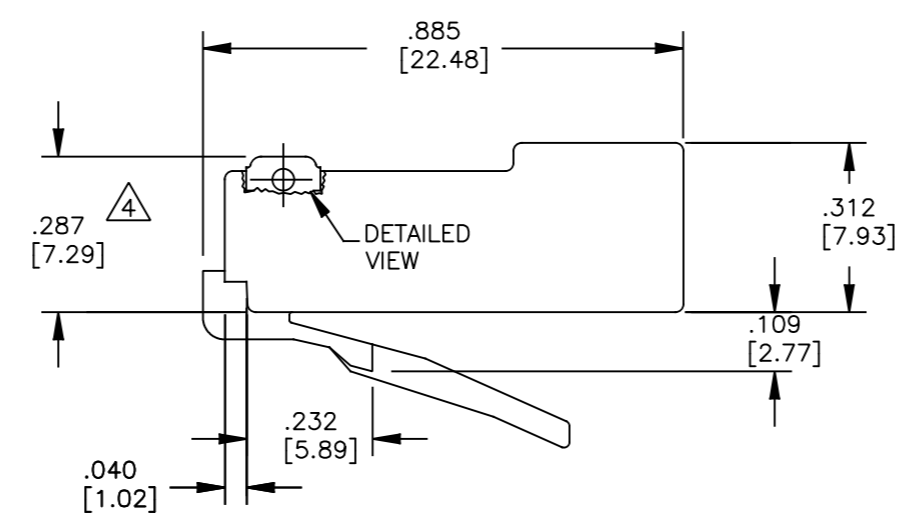
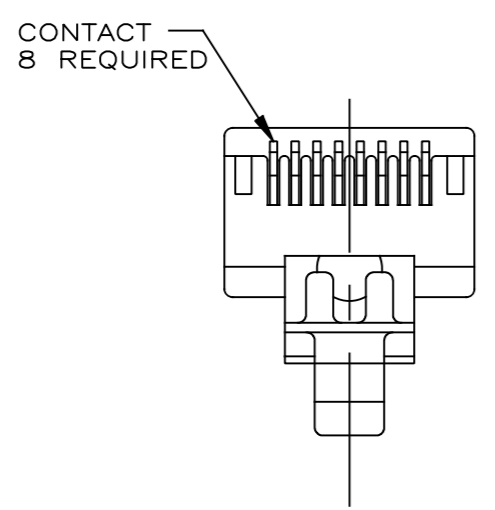
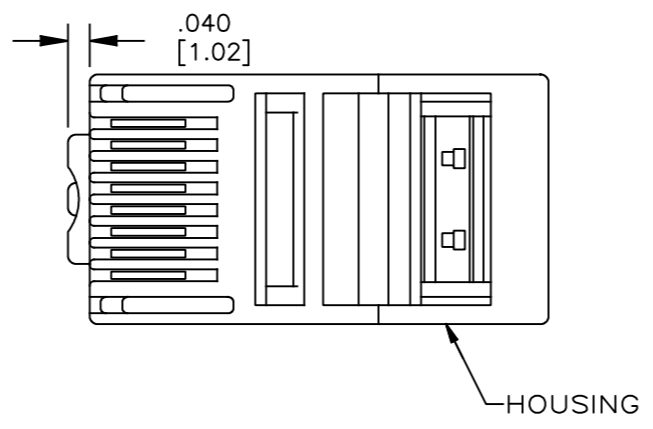


REVISIONS					
P	LYR	DESCRIPTION	DATE	OWN	APVD
B		REV: MCO-40026563MCO	16NOV2015	HG	JG
C		REV PER ECN BNS_CD_BRAND	21JAN2017	GG	DC

MP-88U-F

PACKAGE SIZE 5 = 500 1 = 100	COUNTRY CODE KO = KOREA CH = CHINA TW = TAIWAN
------------------------------------	---

- 1. DIMENSIONS ARE NOMINAL UNLESS OTHERWISE SPECIFIED.
- 2. MATERIAL: HOUSING- POLYCARBONATE, CLEAR TERMINAL- .305 [.012] THICK PHOSPHOR BRONZE PLATED WITH 1.27µM [.00005] MINIMUM THICK GOLD IN LOCALIZED PLATE AREA OVER 2.54µM [.000100] MINIMUM THICK NICKEL UNDERPLATE.
- 3. PLUGS WILL ACCEPT 24 TO 26 AWG SOLID OR STRANDED CONDUCTORS WITH A SINGLE INSULATION DIAMETER OF 0.86-0.99[.034-.039].
- 4. TERMINATED DIMENSION 5.89 [.232] - 6.15 [.242].
- 5. UL RECOGNIZED FILE NUMBER E81956.



UNSHIELDED MOD PLUG

PACKAGE	COUNTRY	MATERIAL	CATALOG NO.
100	KOREA	7-554720-3	MP-88U-F-1-KO
100	CHINA	8-554720-3	MP-88U-F-1-CH
100	TAIWAN	9-554720-3	MP-88U-F1-TW
50	INDONESIA	6-554720-2	MP-88U-F-5

THIS DRAWING IS A CONTROLLED DOCUMENT.

DWG: H.GAUL CHK: J.GENIAC APP'D: J.GENIAC	20AUG2015 20AUG2015 20AUG2015	COMMSCOPE, INC.
NAME: KIT, MOD PLUG, 8 POSITION, 8 CONTACTS		
DIMENSIONS: INCHES [mm]	TOLERANCES UNLESS OTHERWISE SPECIFIED:	PRODUCT SPEC: 108-1163 APPLICATION SPEC: 114-6016
0 PLC ± - 1 PLC ± - 2 PLC ± - 3 PLC ± .005 4 PLC ± - ANGLES ± -	FINISH: -	
MATERIAL:	FINISH:	SIZE: A1 CAGE CODE: - DRAWING NO: ©=2843029 RESTRICTED TO: -
CUSTOMER DRAWING		SCALE: 4:1 SHEET 1 OF 1 REV C