



110AB Jack Panel Instructions

General

The 110AB jack panel system consists of an 8-pin modular jack mounted in a metallic holder and wired to a standard 110-type wiring block. The jack panel accommodates T568A and T568B wiring.

Ordering information is listed below:

Material ID	Product Number	Description
107920704	110AB CAT5PSJP 12B	12 modular jacks on a 100-pair wiring block with mounting legs

How to Contact Us

- To find out more about **CommScope®** products, visit us on the web at <http://www.commscope.com/>
- For technical assistance:
 - Within the United States, contact your local account representative or technical support at 1-800-344-0223. Outside the United States, contact your local account representative or Authorized Business Partner.
 - Within the United States, report any missing/damaged parts or any other issues to CommScope Customer Claims at 1-866-539-2795. Outside the United States, contact your local account representative or Authorized Business Partner.

Specifications

Wire Termination

Wire Size:

24-26 AWG (0.51 -0.40mm) Solid Copper

Material Type:

Copper alloy

Wiring:

T568A and T568B

Modular Jack Mating Cycles:

200 minimum

Environmental Data

Temperature Range:

14°F (-10°C) to 140°F (60°C) (Operational)

Humidity:

95% Noncondensing

Safety Standard:

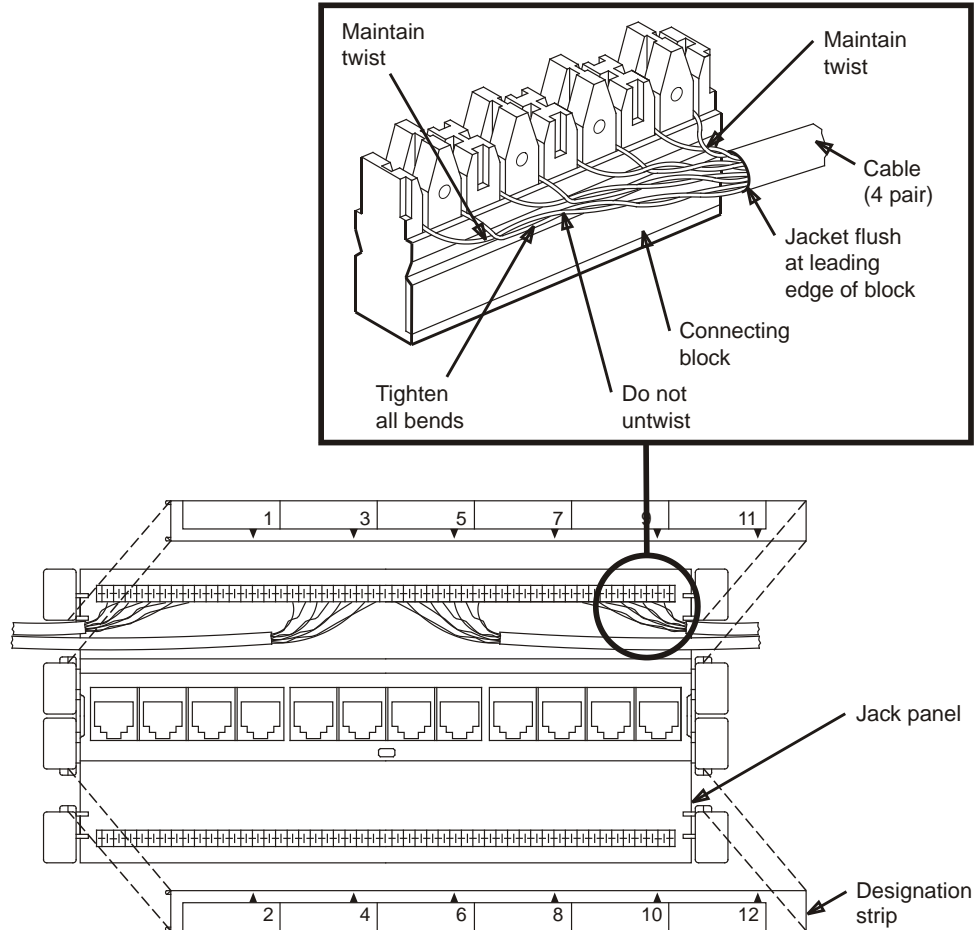
cUL/UL

 **WARNING – Important Safety Instructions**

When using this product, the following basic safety precautions should be followed to reduce the risk of fire, electric shock, and injury to persons:

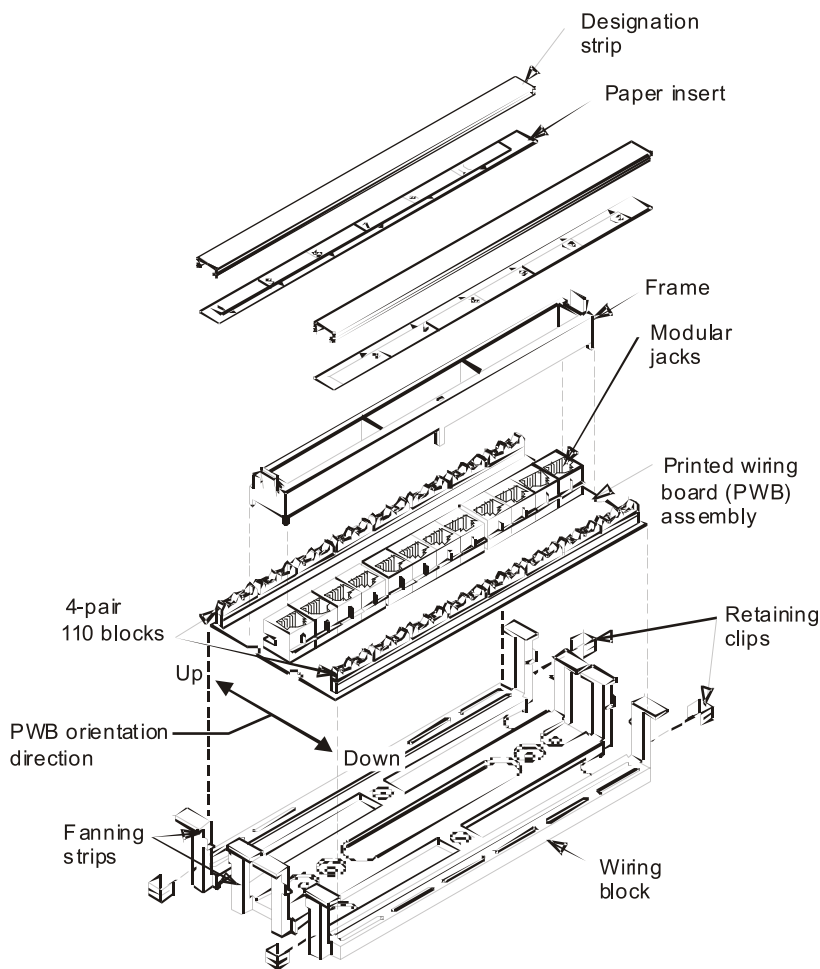
1. Never install communications wiring in wet locations unless it is designed for wet locations.
2. Never install this product during a lightning storm. There is a remote risk of electric shock.
3. Never touch uninsulated communication wiring or terminals unless the communication circuit has been disconnected at the network interface.
4. **Caution:** All wiring that connects to this equipment must meet applicable local and national building codes and network wiring standards for communication cable.

Step 1 — Terminate Wire on Jack Panel



1. Depress cables and loosely secure to terminal block or backboard at edge of jack panel.
2. Remove designation strips.
3. Position assigned cables in numbered sequence, three cables entering from each side, across the jack panel. Mark each cable at leading edge of associated connecting block. See Wiring Table in this instruction sheet.
4. Ring cable at mark and remove jacket. Exercise care not to nick or damage insulation or separate twists.
5. Holding end of cable jacket approximately 1/4 inch (6mm) in front of connecting block and even with leading edge, insert conductors into connecting block starting with brown/white pair. It is extremely important to maintain pair twist up to the point of separation at connecting block to meet Category 5 Power Sum transmission performance. For example, If brown and white conductors are on the wrong side of each other, always provide additional twist, never untwist.
6. Check conductors. Seat and cut-off using D impact tool. Exercise caution to ensure tool is oriented to cut off excess conductor length.
7. Continue items 5 and 6 until all cables are installed.
8. Mark appropriate paper inserts for circuit identification and place insert into designation strip. Snap designation strips onto corresponding wiring block positions.

Step 2 — Assemble Kit



This kit contains:

- Wiring block (1)
- Frame (1)
- Retainer clips (4)
- Printed wiring board assy (1)
- Designation strips (2)
- Paper insert - odd (1)
- Paper insert - even (1)
- Plastic rivets (2)

Wiring Table

Conn. Block	Color Code	Modular Jack	
		EIA-T568A	EIA-T568B
Term. No.		Position No.	Position No.
1-1	W-BI	1-5	1-5
1-2	Bl	1-4	1-4
1-3	W-O	1-3	1-1
1-4	O	1-6	1-2
1-5	W-G	1-1	1-3
1-6	G	1-2	1-6
1-7	W-Br	1-7	1-7
1-8	Br	1-8	1-8
2-1	W-BI*	2-5	2-5
2-2	Bl*	2-4	2-4
*	*	*	*
6-8	Br	6-8	6-8

* Repeat above for all six jack positions on each index strip of 110-type wiring block

1. Attach 110AB CAT5PSJP 12B to 110P-type terminal block using two plastic rivets.
2. Orient printed wiring board (PWB) assembly on wiring block in up and down direction as shown above.
3. Position frame over modular jacks and push down to secure. End tabs snap in place under fanning strips.
4. Snap four retaining clips around fanning strip at corners of block.
5. Install wiring as per instructions on other side of this instructions sheet.
6. Mark paper inserts for circuit identification and place insert into designation strips. Snap designation strips onto corresponding wiring block positions. Wiring from odd numbered jacks appears on top row and even numbered jacks appears on bottom row (see Wiring Table above).