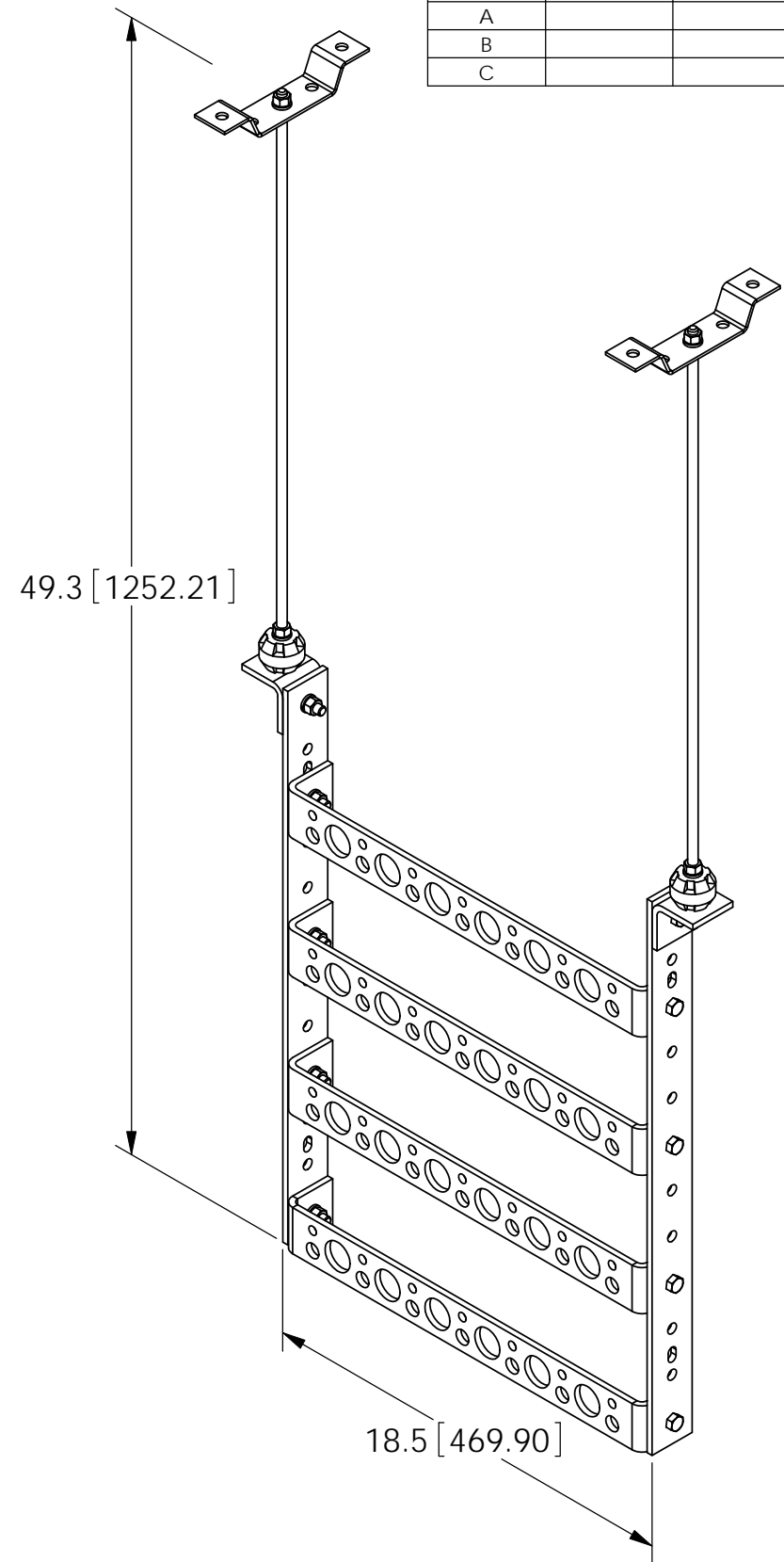
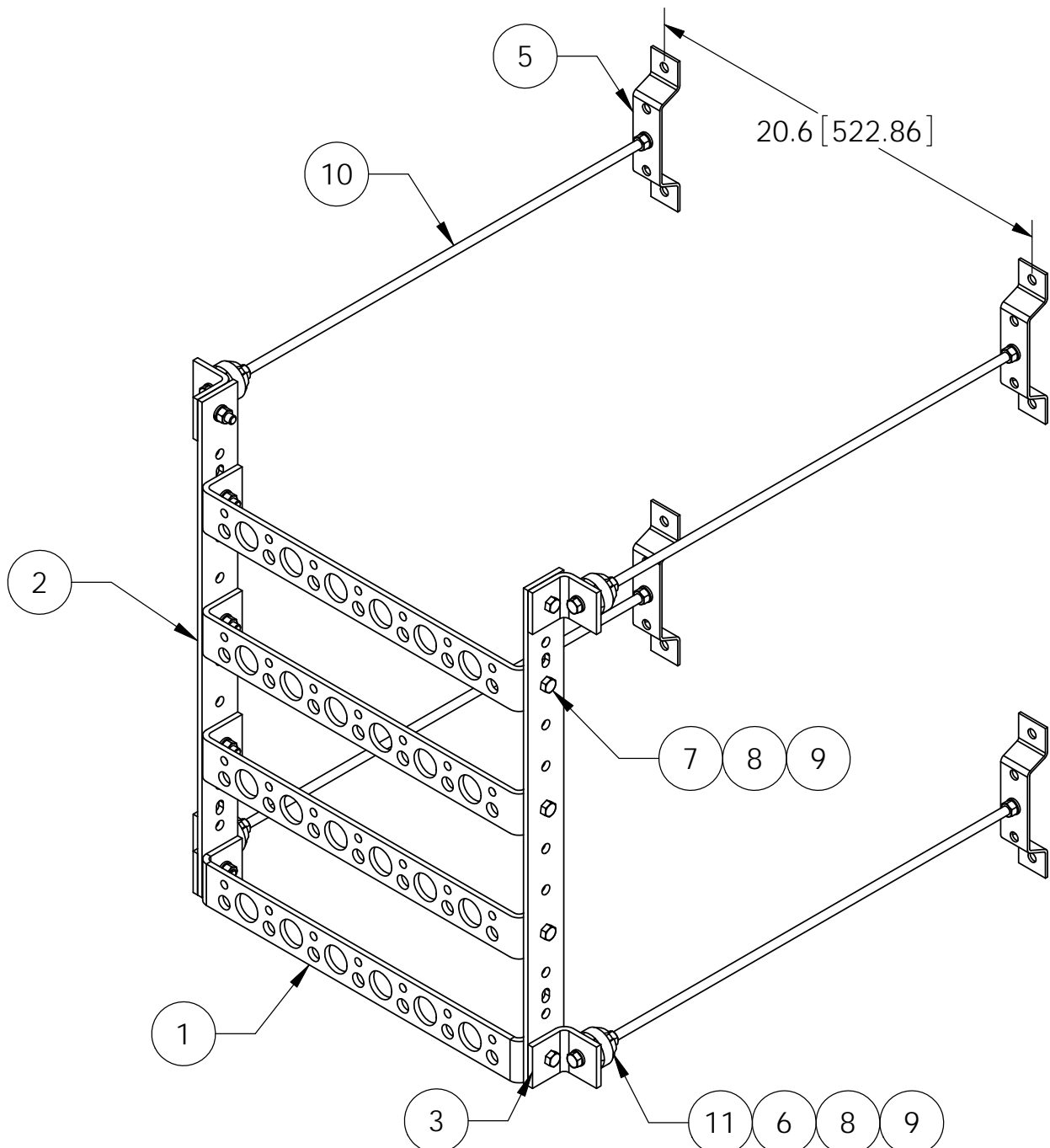



ITEM	PART NO.	DESCRIPTION	QTY.	WEIGHT
1	ATK306U.01	GROUND BAR	4	2.64 LBS
2	ATK306U.02	SUPPORT BAR	2	3.68 LBS
3	ATK306U.03	SUPPORT ANGLE	4	0.57 LBS
4	ATK406UH	HARDWARE KIT (ITEMS 5-11)	1	
5	ABCB.01	ADAPTOR BRACKET	4	0.41 LBS
6	SB-0305	3/8" X 5/8" SS BOLT KIT	4	0.02 LBS
7	SB-0312	3/8" X 1-1/4" SS BOLT KIT	10	0.02 LBS
8	SWL-03	3/8" SS LOCK WASHER	26	0.01 LBS
9	SN-03	3/8" SS HEX NUT	22	0.02 LBS
10	MT-373-24	3/8" X 24" SS THREADED ROD	4	0.75 LBS
11	MT520	INSULATOR W/ 3/8" INSERT	4	0.21 LBS

REVISIONS				
REV.	ZONE	DESCRIPTION	BY	DATE
A		INITIAL RELEASE	ACG	03/08/10
B		UPDATE HARDWARE KIT	MSM	03/22/10
C		CORRECT MT520 COUNT	MSM	03/31/10



NOTES:
1. ALL METRIC DIMENSIONS ARE IN BRACKETS.

<small>These drawings and specifications are the proprietary property of ANDREW CORPORATION and may be used only for the specific purpose authorized in writing by Andrew Corporation.</small> ALL DIMENSIONS ARE IN INCHES U.O.S. TOLERANCES UNLESS OTHERWISE SPECIFIED: .X = ± .06 ANGLES ±2° .XX = ± .03 FRACTIONS ±1/32 .XXX = ± .010 REMOVE BURRS AND BREAK EDGES .005 DO NOT SCALE THIS PRINT	DRAWN BY: ACG	SHEET: 1 of 1	PART NUMBER: AT-K406-U
	CHECKED BY: TP	SCALE: NTS	DESCRIPTION: ARRESTOR TRAPEZE KIT w/ 4 RUNGS
	DATE: 03/08/10	MATERIAL: COPPER, A568,	DRAWING TYPE: ASSEMBLY DRAWING
	REVISION: C	FINISH: NONE WEIGHT: 26.46 LBS	 ORLAND PARK, IL. 60462 U.S.A.