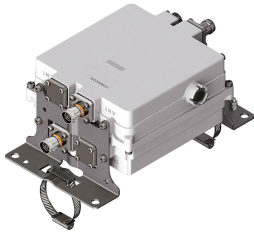


E14R00P15



Dual Band Tower Mounted Amplifier, 2100//2600, 12 dB, 2 BTS & 2 ANT ports, AISG with 1 RET connector, with 4.3-10 connectors (1 device with 2 sub-units each)

- Industry leading PIM performance
- New 4.3-10 connectors for improved PIM performance and size reduction
- Designed to boost UP-Link Coverage and KPIs
- Single AISG with 1 RET connector
- 1 device with 2 sub-units
- 2 input ports and 2 output ports

Product Classification

Product Type 1-BTS:1-ANT (Uniplex) | Tower mounted amplifier

General Specifications

Color Gray

Modularity 2-Twin

Mounting Pole | Wall

Mounting Pipe Hardware Band clamps (2)

RF Connector Interface 4.3-10 Female

Dimensions

Height 203 mm | 7.992 in

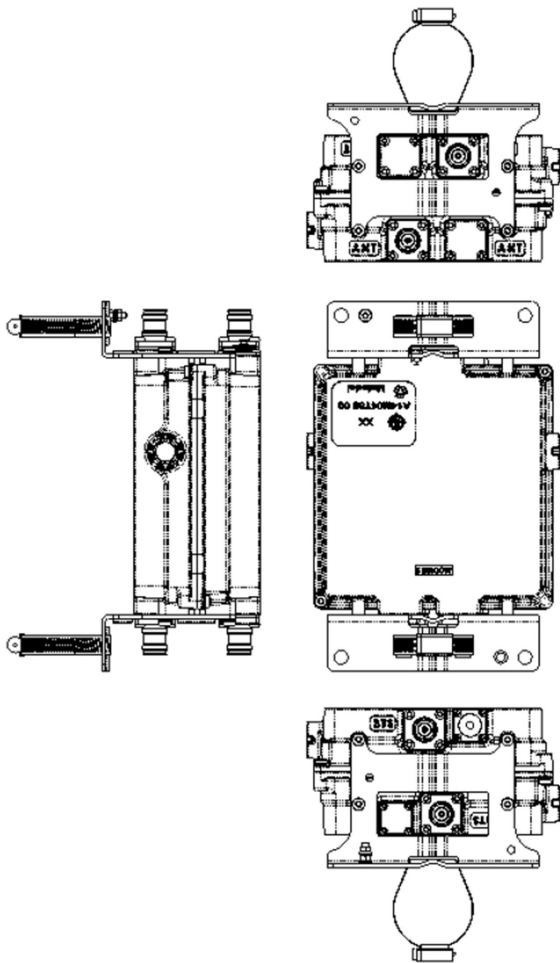
Width 192.5 mm | 7.579 in

Depth 102 mm | 4.016 in

Mounting Pipe Diameter Range 50–120 mm

E14R00P15

Outline Drawing



Electrical Specifications

License Band, LNA IMT 2100 | IMT 2600

Electrical Specifications, dc Power/Alarm

dc Switching/Redundancy	Yes
Lightning Surge Current	10 kA
Lightning Surge Current Waveform	8/20 waveform
Voltage	7–30 Vdc
Alarm Current, CWA Mode	190 mA ±10 mA

Electrical Specifications, AISG

E14R00P15

AISG Connector	8-pin DIN Female
AISG Connector Standard	IEC 60130-9
Protocol	AISG 2.0
Voltage, AISG Mode	10–30 Vdc

Electrical Specifications

Sub-module	1 2	1 2
Branch	1	1
Port Designation	ANT	ANT
License Band	IMT 2100, LNA	IMT 2600, LNA
Return Loss, typical, dB	20	20
Return Loss - Bypass Mode, typical, dB	14	14

Electrical Specifications Rx (Uplink)

Frequency Range, MHz	1920–1980	2500–2570
Bandwidth, MHz	60	70
Gain, nominal, dB	12	12
Gain Tolerance, dB	±1	±1
Noise Figure, typical, dB	1.5	1.8
Group Delay Variation, maximum, ns	12	10
Group Delay Variation Bandwidth, MHz	5	5
Total Group Delay, maximum, ns	30	40
Return Loss, minimum, dB	17	18
Insertion Loss - Bypass Mode, typical, dB	3	3

Electrical Specifications Tx (Downlink)

Frequency Range, MHz	2110–2170	2620–2690
Bandwidth, MHz	60	70
Insertion Loss, maximum, dB	0.6	0.6
Insertion Loss, typical, dB	0.5	0.5
Group Delay Variation, maximum, ns	6	3
Group Delay Variation Bandwidth, MHz	5	5
Total Group Delay, maximum, ns	10	12
Return Loss, minimum, dB	17	18
Input Power, RMS, maximum, W	200	200
Input Power, PEP, maximum, W	2000	2000

E14R00P15

3rd Order PIM, maximum, dBc

-153

-153

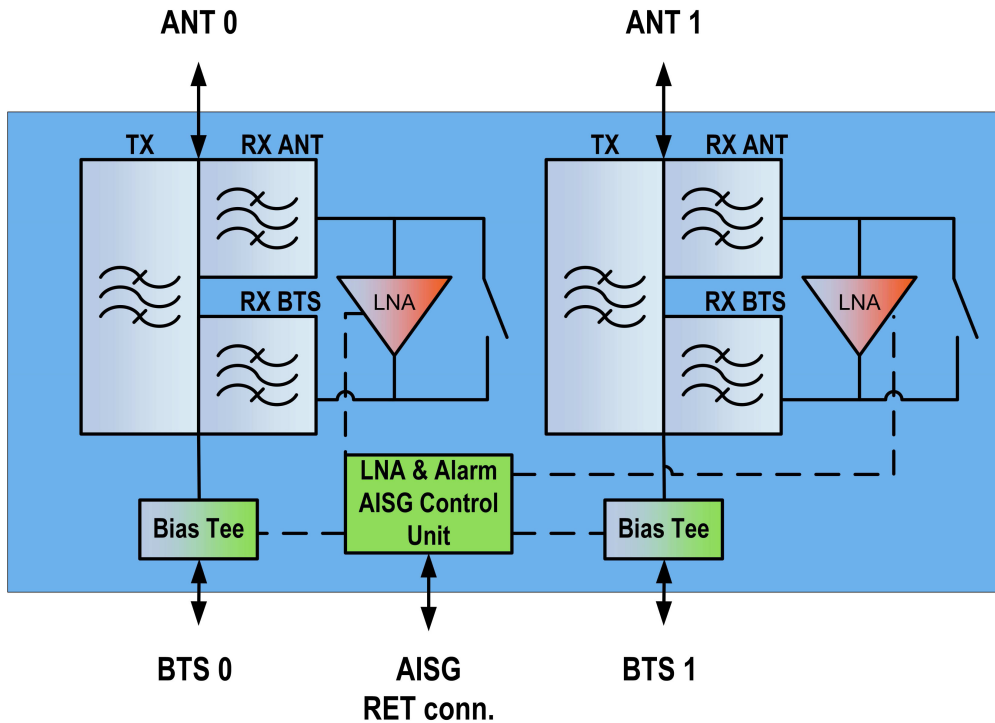
3rd Order PIM Test Method

Two +43 dBm carriers

Two +43 dBm carriers

E14R00P15

Block Diagram



Environmental Specifications

Operating Temperature	-40 °C to +65 °C (-40 °F to +149 °F)
Relative Humidity	Up to 100%
Corrosion Test Method	IEC 60068-2-11, 30 days
Ingress Protection Test Method	IEC 60529:2001, IP67

Packaging and Weights

Included	Mounting hardware
Volume	4.1 L
Weight, net	6.5 kg 14.33 lb

Regulatory Compliance/Certifications

Agency	Classification
ISO 9001:2015	Designed, manufactured and/or distributed under this quality management system



E14R00P15

* Footnotes

License Band, LNA License Bands that have RxUplink amplification