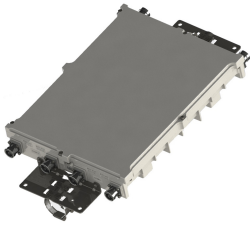


TD-PCS-1-A3-A4A5 | E15Z50P73



Twin Inband Diplexer PCS A3-A4A5, DC sense

- Twin configuration
- Automatic dc switching with dc sense
- Minimal Insertion Loss
- Self-contained housing ensures highest reliability in severe environments

Product Classification

Product Type Diplexer

General Specifications

Color Gray

Connector Interface 7-16 DIN Female

Dimensions

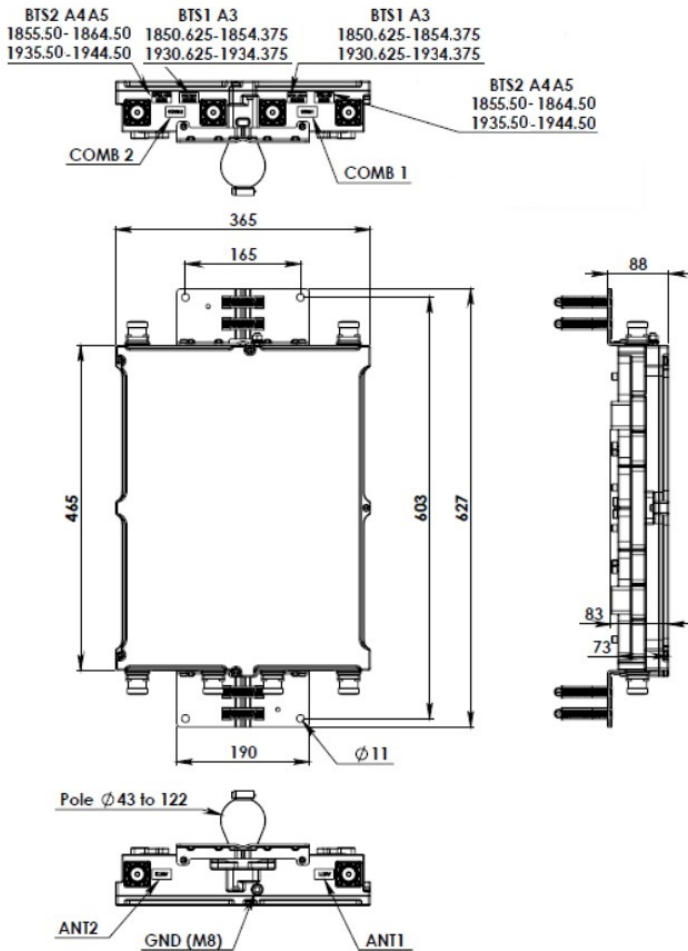
Height 465 mm | 18.307 in

Width 365 mm | 14.37 in

Depth 73 mm | 2.874 in

Outline Drawing

TD-PCS-1-A3-A4A5 | E15Z50P73



Electrical Specifications

5th Order IMD, maximum	-153 dBc
Lightning Surge Current	10 kA
Lightning Surge Current Waveform	8/20 waveform

Electrical Specifications, Rx (Uplink)

Frequency Band	1850.625 – 1854.375 MHz
Insertion Loss, typical	0.8 dB
Return Loss, typical	18 dB
Isolation, minimum	28 dB
Total Group Delay, maximum	250 ns

Electrical Specifications 2, Rx (Uplink)

Frequency Band	1855.50 – 1864.50 MHz
Isolation, minimum	28 dB
Total Group Delay, maximum	250 ns
Insertion Loss, typical	0.8 dB
Return Loss, minimum	18 dB

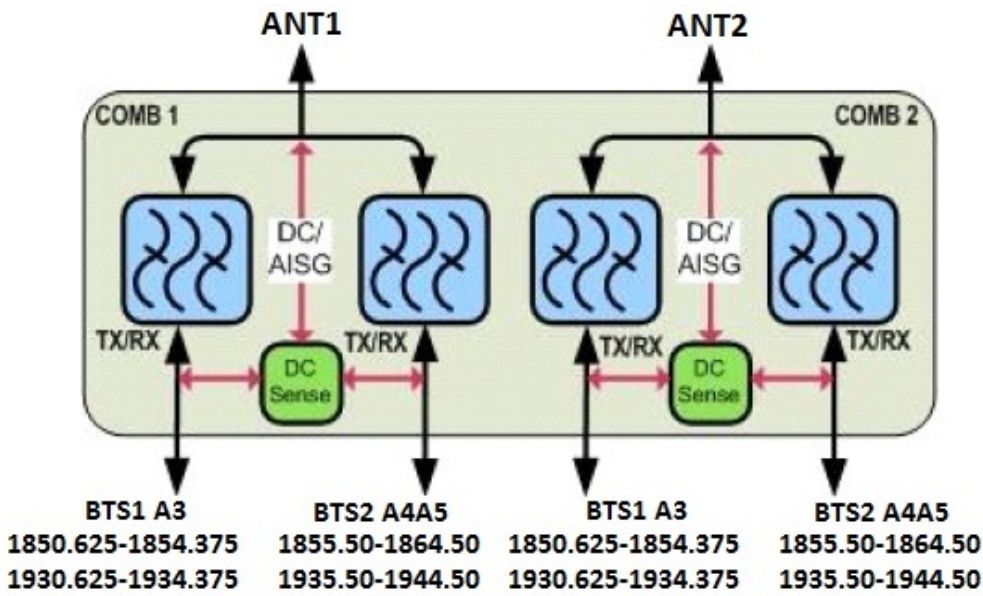
Electrical Specifications, Tx (Downlink)

Frequency Band	1930.625 – 1934.375 MHz
Input Power, PEP, maximum	100 W
Input Power, RMS, maximum	3000 W
Total Group Delay, maximum	210 ns
Insertion Loss, typical	0.8 dB
Return Loss, typical	18 dB

Electrical Specifications 2, Tx (Downlink)

Frequency Band	1935.50 – 1944.50 MHz
Insertion Loss, typical	0.8 dB
Return Loss, minimum	18 dB
Return Loss, typical	18 dB
Total Group Delay, maximum	250 ns

Block Diagram



Environmental Specifications

Operating Temperature -40 °C to +65 °C (-40 °F to +149 °F)

Ingress Protection Test Method IEC 60529:2001, IP67

Packaging and Weights

Weight, net 15.5 kg | 34.172 lb