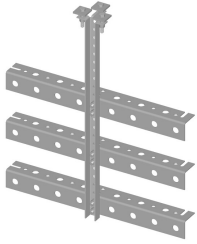


# WB-T12-3

---



Trapeze Kit, triple tee, 12 in wide, three rungs

## Product Classification

**Product Type** Trapeze kit

## General Specifications

**Application** Waveguide bridge kit, 12 in

**Cable Runs, quantity** 12

**Hole, quantity** 12

**Mounting** Waveguide bridge channel

**Rungs, quantity** 3

## Dimensions

**Height** 76.2 mm | 3 in

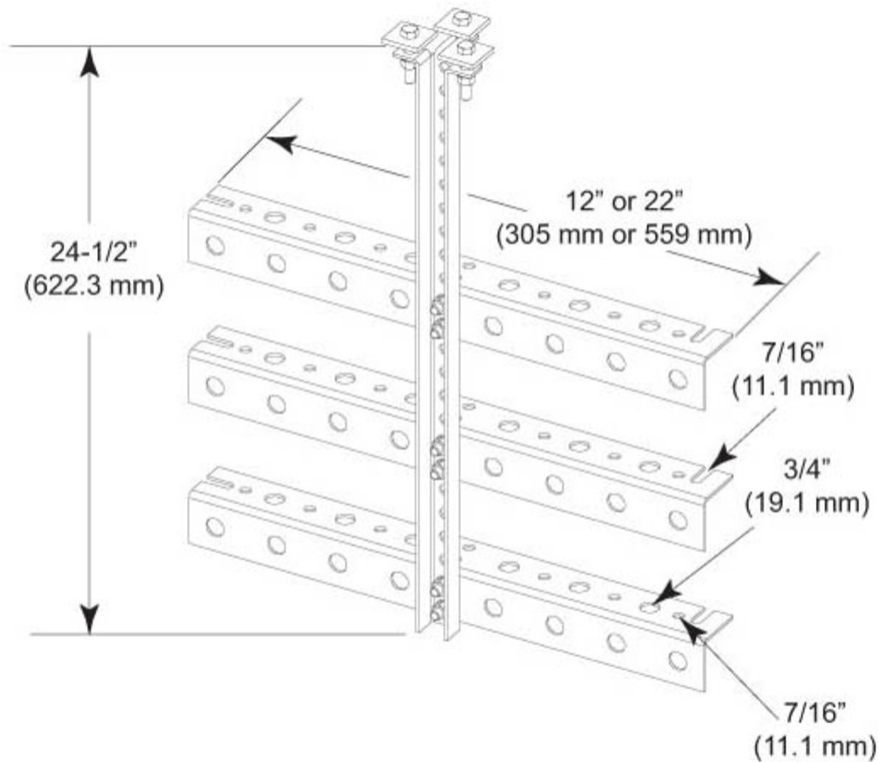
**Width** 304.8 mm | 12 in

**Length** 635 mm | 25 in

**Hole Size** 3/4 in | 7/16 in

# WB-T12-3

## Outline Drawing



## Material Specifications

**Material Type** Hot dip galvanized steel

## Packaging and Weights

**Included** Angle brackets | Mounting hardware

**Packaging quantity** 1

**Weight, net** 4.1 kg | 9.039 lb

## Regulatory Compliance/Certifications

### Agency

ISO 9001:2015

REACH-SVHC

ROHS

### Classification

Designed, manufactured and/or distributed under this quality management system

Compliant as per SVHC revision on [www.commscope.com/ProductCompliance](http://www.commscope.com/ProductCompliance)

Compliant

