

Multiple External Ground Sleeve with 3 or 6 Conductors

1.0 General Information

The FOSC Multi External Ground (MEG) 3 and 6 kits were designed to electrically isolate every cable in the FOSC 400 C5, D5, and B2 closures, and in FOSC 450 B, BS, C6, and D6 closures using #6 copper ground wires.

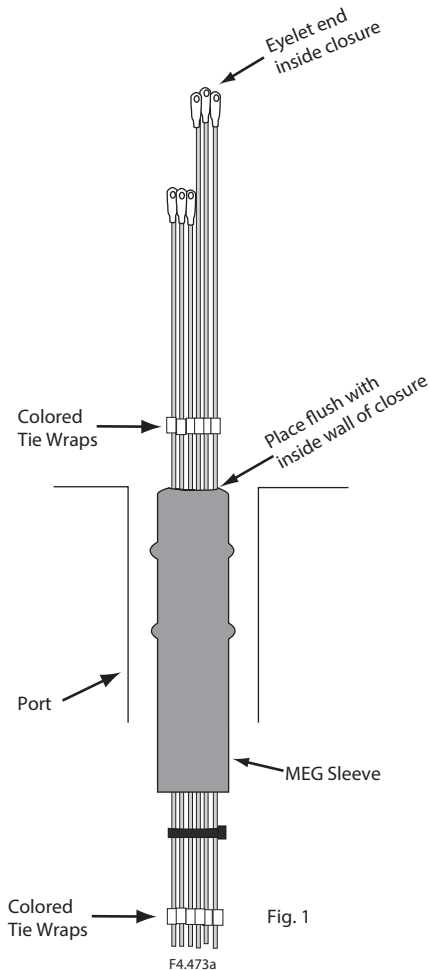
2.0 Kit Components

- Multiple External Ground Sleeve (MEG Sleeve)
- Heat Shrink Port Seal, Cleaning Tissue and Abrasive Strip
- Small Heatshrink Tubes (3 or 6)
- Installation Instructions

Note: If installing in FOSC 450 closure, go to Section 5.0.

3.0 Multiple External Ground Installation

1. Use of round port just above oval port is recommended. Cut the end off the selected port at the ridge with a hacksaw
2. Insert the MEG sleeve through the port. The end with the eyelet goes inside the closure. Align MEG sleeve so that the pre-installed tubing is flush with the inside wall of the closure. (Figure 1)
3. Bend the 3 longer wires in MEG-6 through opening behind the splice tray holding bracket in C5 and D5 closures.
4. Attach ground wires in from MEG sleeve to appropriate bond wires inside closure using supplied nut and bolt.
5. Insulate each nut/bolt assembly with supplied small heatshrink tube.
6. Keep record of which cable is bonded to corresponding color on ground wire. The same corresponding color is on the outside of the closure attached to each wire.



4.0 Port Seal Installation FOSC 400 C5, D5 and FOSC 400 B2

1. Clean the port and the MEG sleeve beyond the port edge thoroughly with the supplied cleaning tissue.
2. Abrade the port and MEG sleeve with the supplied abrasive strip, and remove any abraded material from the port and sleeve with a clean, dry rag.
3. Slide the tubular cable port seal up around the port and MEG sleeve. Be sure that the arrows on the seal point to the base of the closure.
4. Using the CV1981 hot-air gun on setting 10, begin shrinking the seal at the end closest to the base of the closure. Direct the air around the seal until all the green paint turns black.
5. Continue heating the remainder of the seal as evenly as possible until it has completely conformed to the MEG sleeve.

Note: Do not overheat the tube or closure base.

6. The seal is completely installed when:
 - Melted adhesive appears at the cable end of the seal around the MEG sleeve.
 - All green thermochromic paint on the seal has turned black.
7. After seal is cool to the touch, flash test closure with 5 psi. Thoroughly soap the seal and end of MEG sleeve. After flash test, bleed pressure off closure through the valve.

5.0 Port Seal Installation FOSC 450 B, BS, C, and D Closures

1. Determine into which port of the metal frame the MEG kit will be installed.

Note: Each MEG kit will take up a single port.

2. Install the cable retention clips of the two-piece cable clamp onto the MEG sleeve 1/2" from the end closest to the eyelets. Install the hose clamp and tighten it around the cable retention clips so that they grip the sleeve securely. (Figures 2 and 3)

Note: The strength member fork typically installed with the cable clamp is not used for this application.

3. Slide the cable clamp into the appropriate metal slot of the closure.
4. Attach ground wires from MEG assembly to appropriate bond wires inside closure using supplied nuts and bolts.
5. Insulate each nut/bolt assembly with electrical tape.

Note: Keep record of which cable is bonded to corresponding color on ground wire. The same corresponding color is on the outside of the closure attached to each wire.

6. Continue with FOSC 450 closure installation instructions.

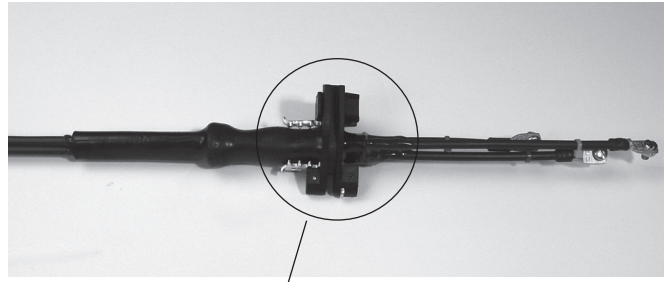


Figure 2

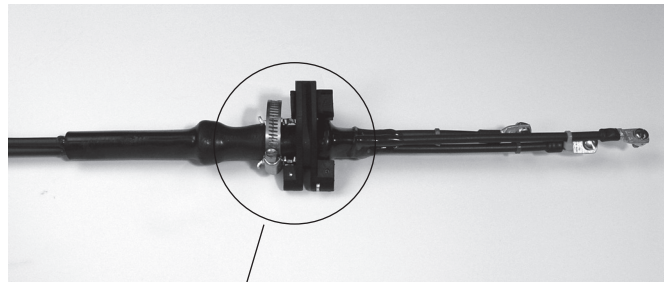
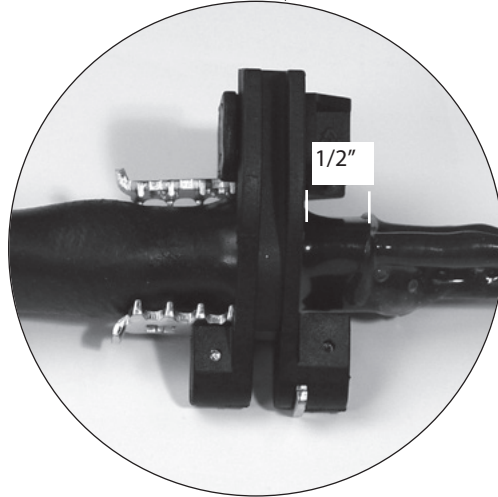
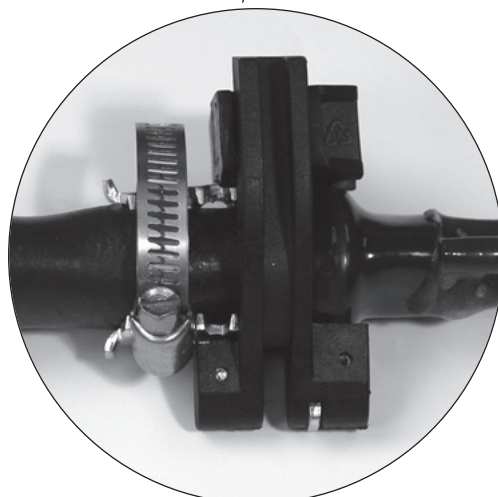


Figure 3



Technical Assistance Center (TAC)
 Tel.: 800.830.5056
 Email: TAC.Americas@commscope.com
 www.commscope.com

FOSC 400, FOSC 450, CommScope logo, and CommScope are trademarks.

The information given herein, including drawings, illustrations and schematics which are intended for illustration purposes only, is believed to be reliable. However, CommScope makes no warranties as to its accuracy or completeness and disclaims any liability in connection with its use. CommScope's obligations shall only be as set forth in CommScope's Standard Terms and Conditions of Sale for this product and in no case will CommScope be liable for any incidental, indirect or consequential damages arising out of the sale, resale, use or misuse of the product. Users of CommScope products should make their own evaluation to determine the suitability of each such product for the specific application.