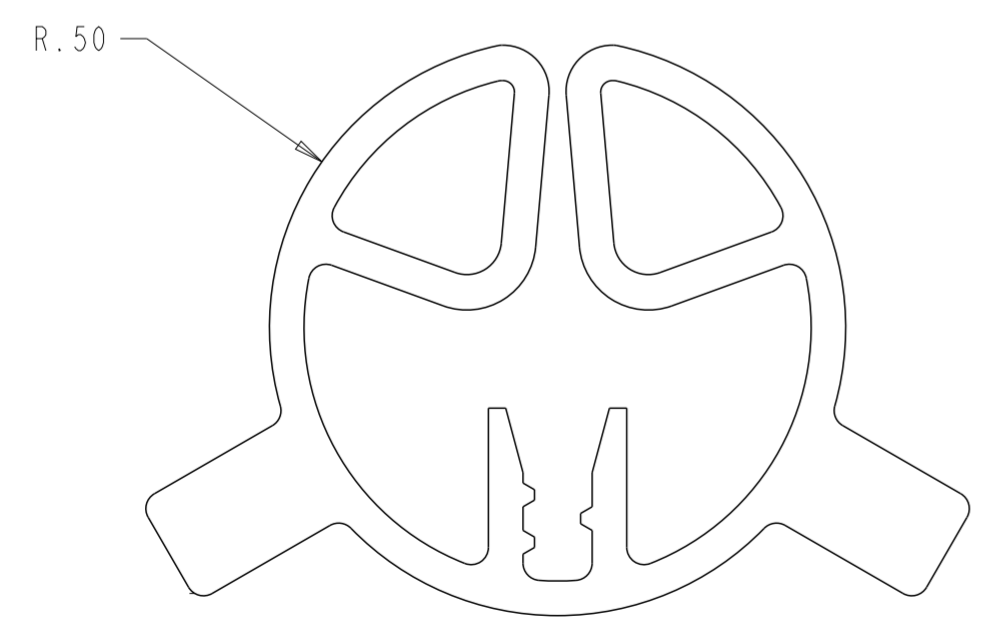
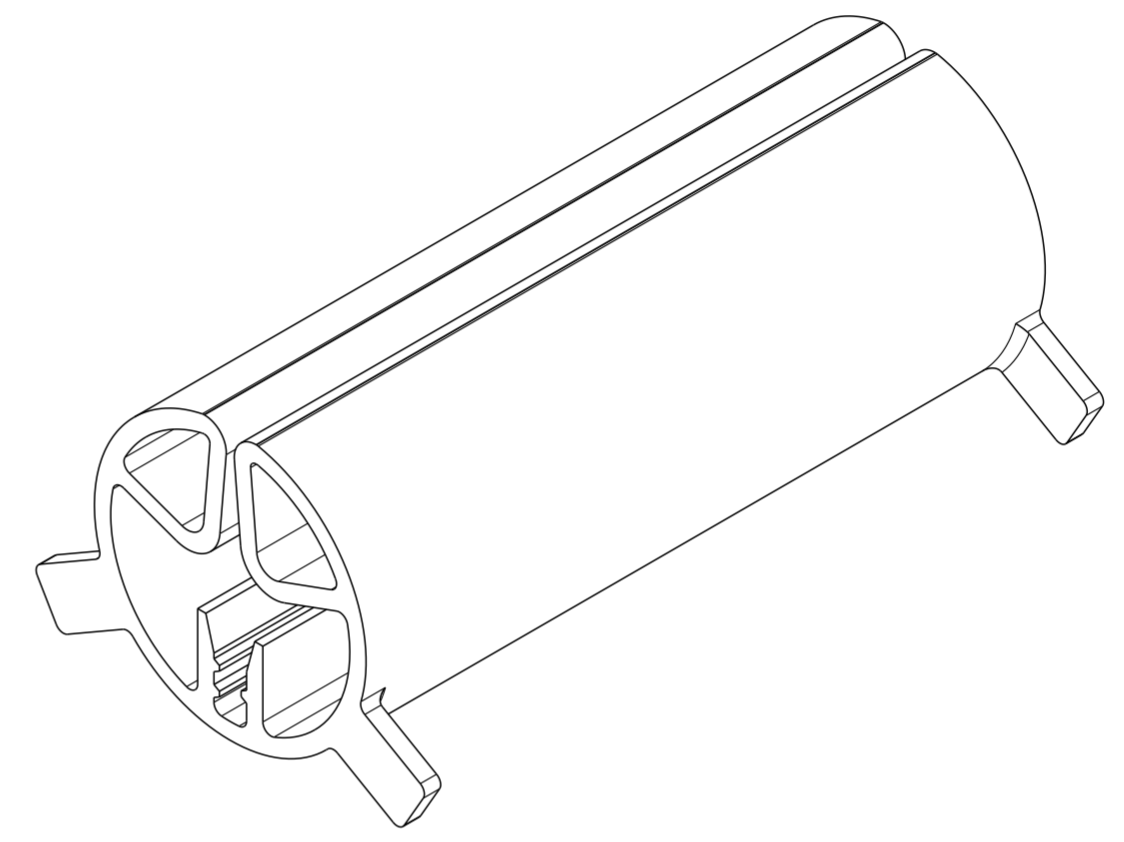
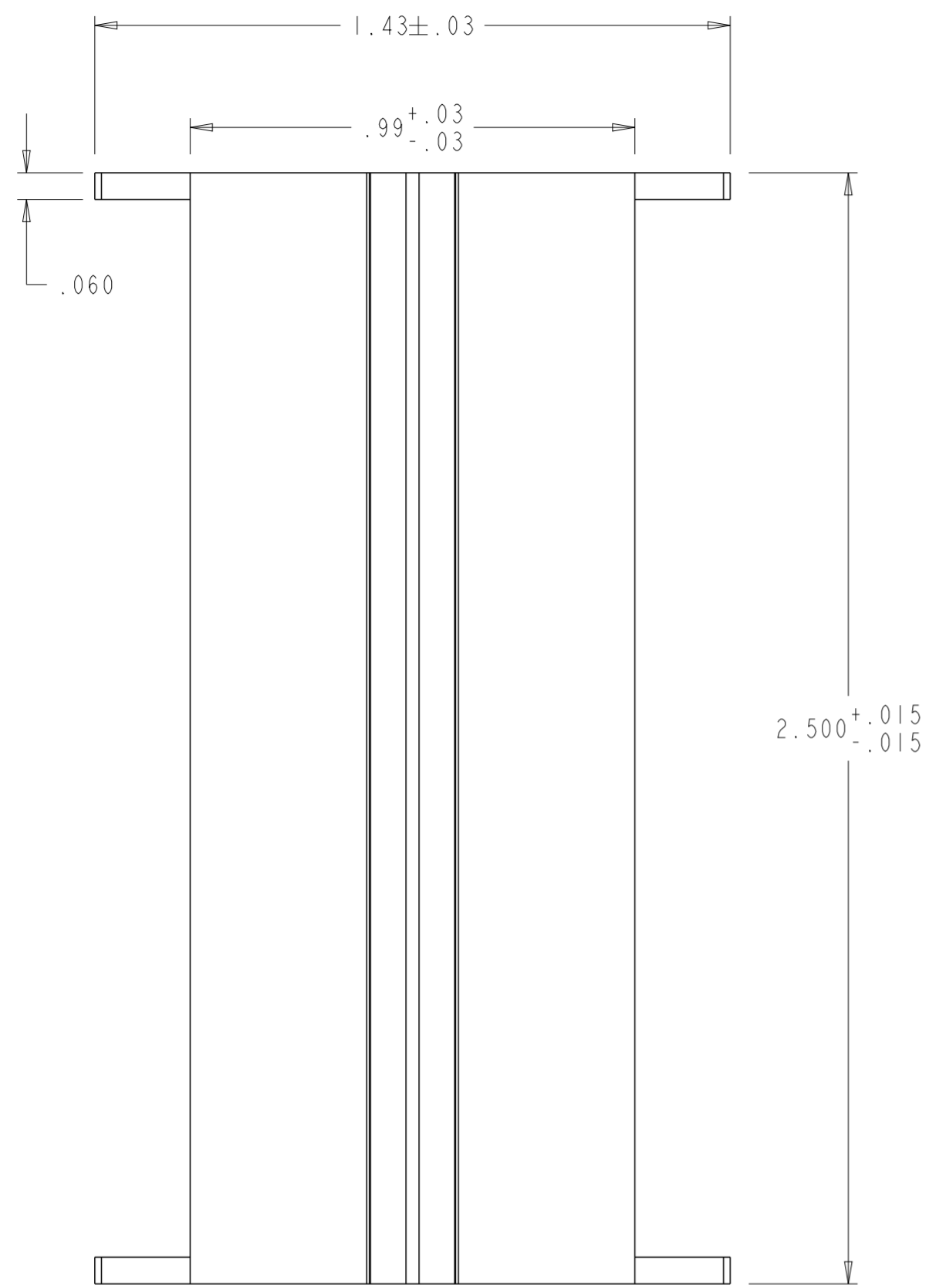


REVISIONS			
REV	DESCRIPTION	DATE	APPROVED
A	4007220 ICMO	03-AUG-18	ODVL



CATALOG # : FGS-ACC-LPRL

COMMSCOPE, INC.			
DRAFTER OSCAR VALENZUELA		TITLE INS. DWG, FGS RAD LIMITER, LOW PROF, KIT 20	
ENGINEER RUBEN ARVILLA		SIZE A2	SCALE 1.000
		DOCUMENT NO. 660002589	
		CUSTOMER DRAWING	
		REVISION A	SHEET 1 OF 1