

FD4S-B288S00DDB4



FDH 4000, 288 distribution fibers, no splitters loaded, LC/APC, dry-dry dielectric Ribbon, 100 ft stub, distribution cable all 288f stub and input cable 48 fiber

- Thermoplastic construction provides UV stabilization, flame retardancy, and chemical & impact resistance
- Provides air/water tight seal ensuring protection from flooding and fungus
- Unsurpassed reliability makes it ideal for aerial and below grade applications
- Supports diverse Plug-and-Play splitter and xWDM module Configurations

Product Classification

Regional Availability	Asia Australia/New Zealand EMEA Latin America North America
Product Type	Fiber distribution closure
Product Series	FDH 4000

General Specifications

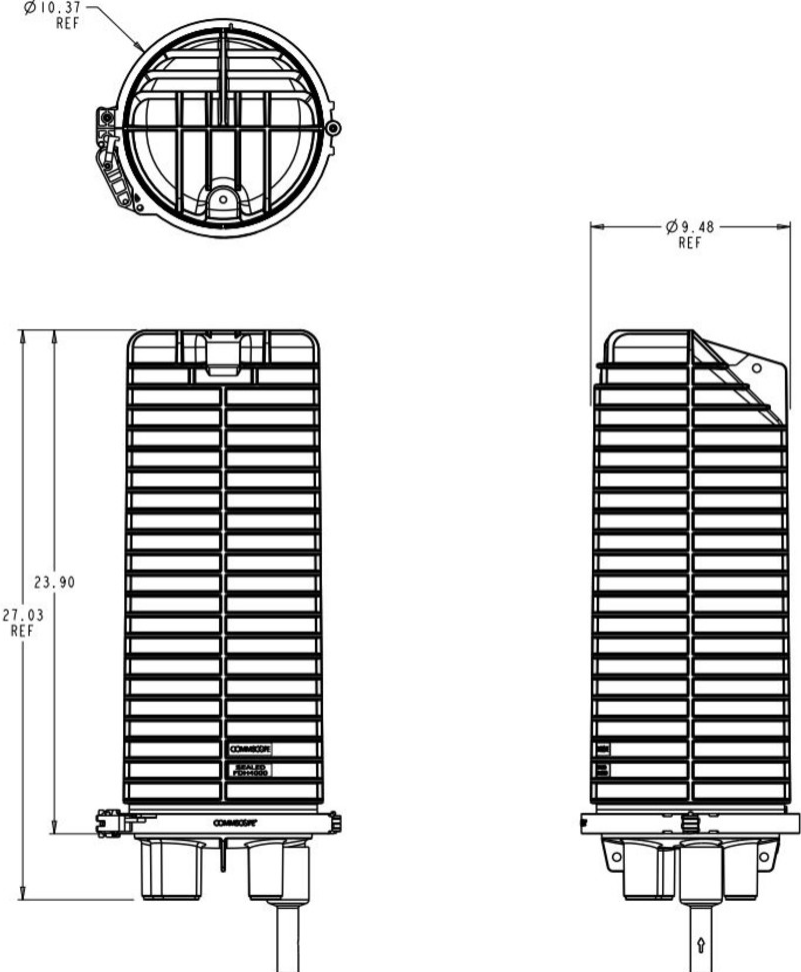
Access	Front
Cable Type	Dielectric - Ribbon
Color	Black
Distribution Ports, quantity	288
Fibers per Feeder Cable, quantity	48
Interface, Input	LC
Interface Feature, Input	APC
Mounting	Handhole Pole Wall
Splitter Slots, quantity	9

Dimensions

Height	812.8 mm 32 in
Width	241.3 mm 9.5 in
Cable Length	30.48 m 100 ft
Enclosure Size	Small

Dimension Drawing

FD4S-B288S00DDB4



Ordering Tree

