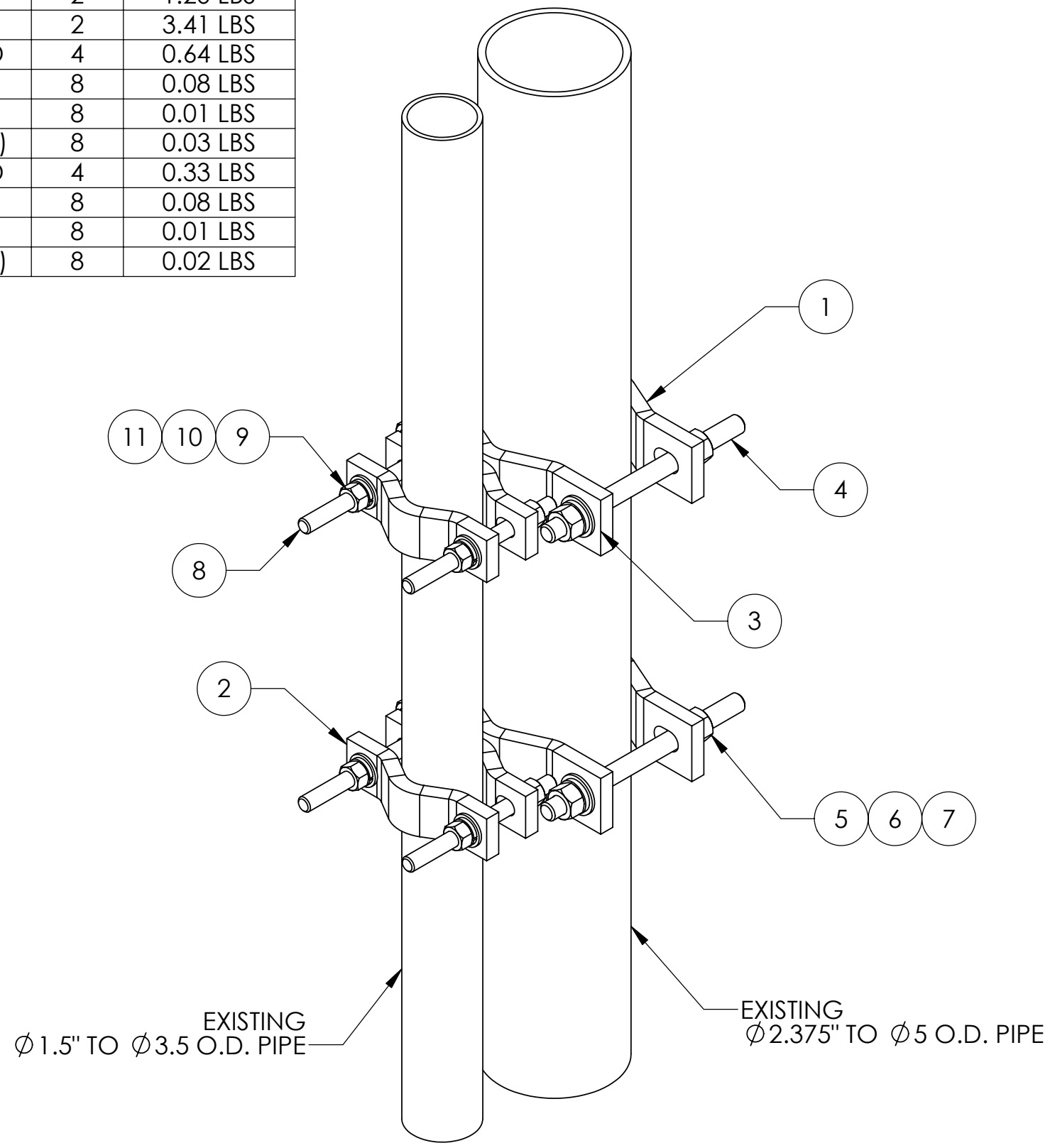



ITEM	PART NO.	DESCRIPTION	QTY.	WEIGHT
1	DC-P10	SMALL CLAMP HALF	2	2.21 LBS
2	SC-P10	SMALL DISH CLAMP HALF	2	1.20 LBS
3	ABS	BACK TO BACK CLAMP SET	2	3.41 LBS
4	MT-381-8	5/8" X 8" GALV THREADED ROD	4	0.64 LBS
5	GN05A	5/8" GALV HEX NUT (A325)	8	0.08 LBS
6	GWL-05	5/8" GALV LOCK WASHER	8	0.01 LBS
7	GWF05A	5/8" GALV FLAT WASHER (A325)	8	0.03 LBS
8	MT-379-6	1/2" X 6" GALV THREADED ROD	4	0.33 LBS
9	GN04A	1/2" GALV HEX NUT (A325)	8	0.08 LBS
10	GWL-04	1/2" GALV LOCK WASHER	8	0.01 LBS
11	GWF04A	1/2" GALV FLAT WASHER (A325)	8	0.02 LBS

REVISIONS				
REV.	ZONE	DESCRIPTION	BY	DATE
A		INITIAL RELEASE	JTS	04/05/01



These drawings and specifications are the proprietary property of ANDREW CORPORATION and may be used only for the specific purpose authorized in writing by Andrew Corporation.  ALL DIMENSIONS ARE IN INCHES U.O.S. TOLERANCES UNLESS OTHERWISE SPECIFIED: .X = ± .06      ANGLES      ±2° .XX = ± .03      FRACTIONS      ±1/32 .XXX = ± .010  REMOVE BURRS AND BREAK EDGES .005  DO NOT SCALE THIS PRINT	DRAWN BY: ACG	SHEET: 1 of 1	PART NUMBER: AB-S50
	CHECKED BY: TP	SCALE: NTS	DESCRIPTION: BACK TO BACK PIPE ADAPTER CLAMP SET
	DATE: 10/14/05	MATERIAL: A36	DRAWING TYPE: ASSEMBLY DRAWING
	REVISION: A	FINISH: GALV A123  WEIGHT: 24.33 LBS	 ORLAND PARK, IL. 60462 U.S.A.