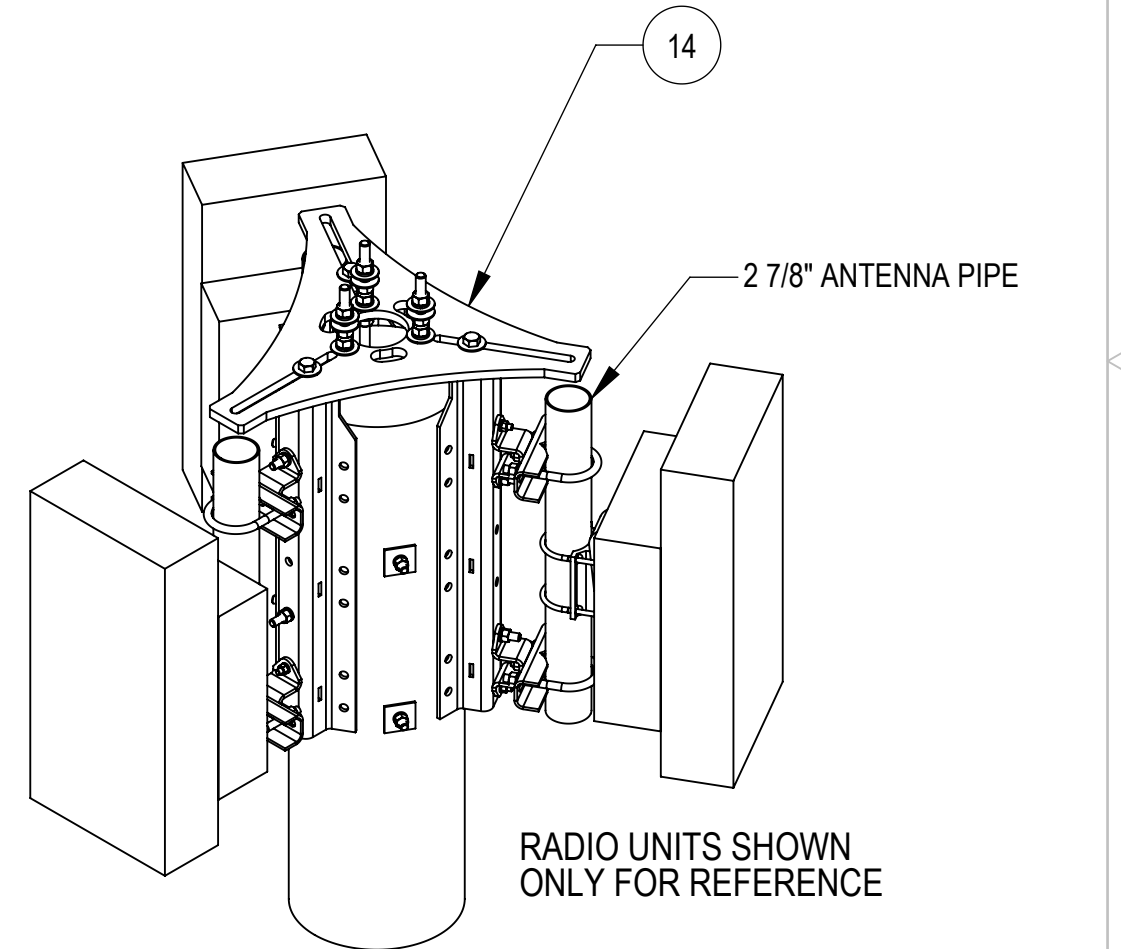
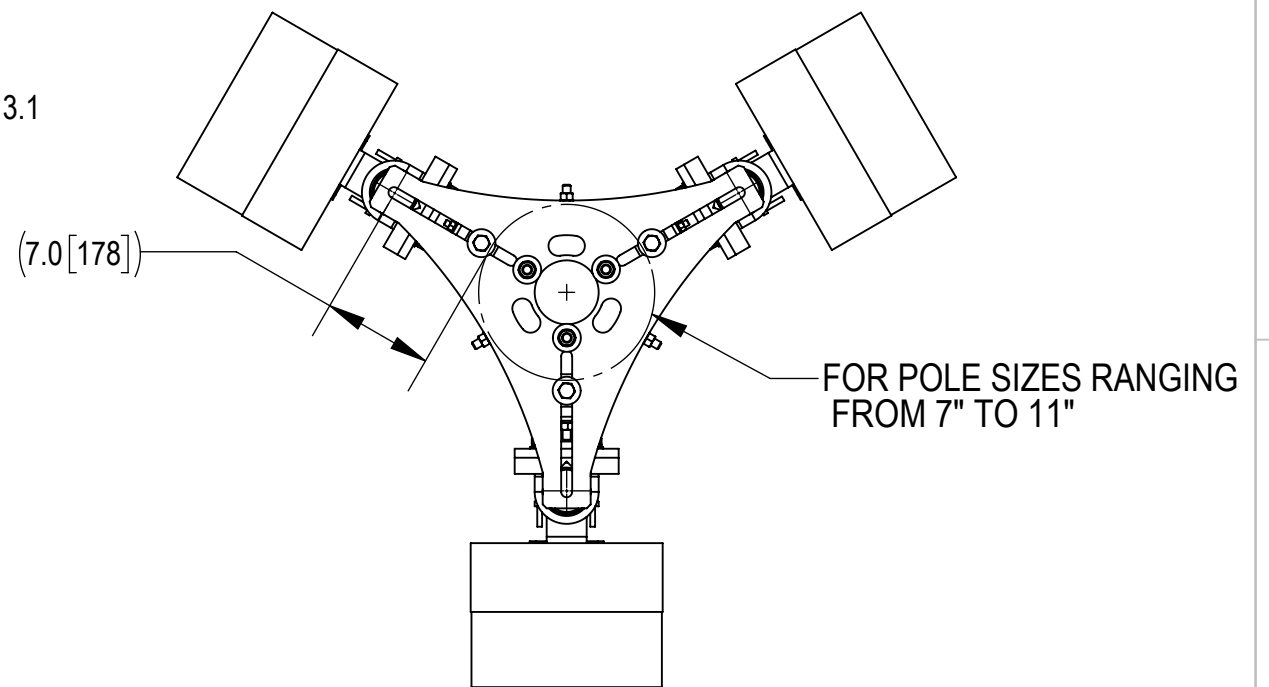
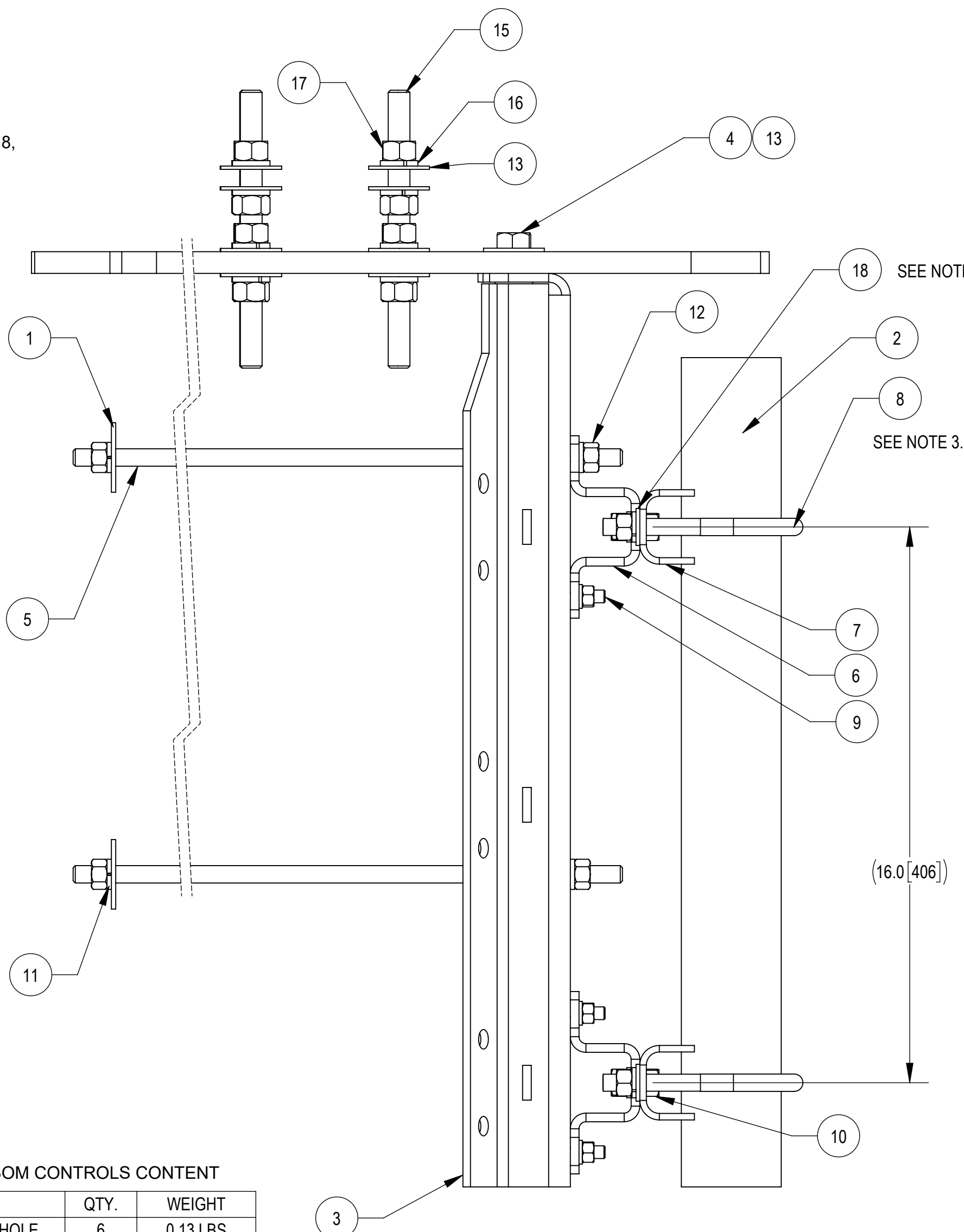


- 1.0 GENERAL
 - 1.1 ALL METRIC DIMENSIONS ARE IN BRACKETS
 - 1.2 FOR PATENTS, SEE WWW.CS-PAT.COM
 - 1.3 ASSEMBLY SHOWN AS INSTALLED
 - 1.4 SEE SHEET 2 FOR INSTALLATION NOTES
- 2.0 DESIGN NOTES
- 3.0 MANUFACTURING/SPECIAL REQUIREMENTS
 - 3.1 REMOVE 1/2" FLAT WASHERS FROM U-BOLT KITS, ITEM 8, AND REPLACE WITH ITEM 18
- 4.0 TEST
- 5.0 PACKAGING
 - 5.1 PACKAGING SHALL MEET COMMSCOPE REQUIREMENTS PER DOCUMENT IS-PL-3005

REVISIONS			
REV.	DESCRIPTION	ECN	DATE
A	NEW RELEASED.	13542	HDAI 13JUL2021
B	ADDED SHEET 3	14612	HCHEN5 24AUG2021
C	ADDED NOTE 1.3/1.4/3.1&ADDED ITEM 18 AND NOTE TO BOM AT SHEET 1;CHANGED ALL MID &ADDED NOTE ABOUT ITEM 18 AT SHEET 2; ADDED NOTE AT SHEET 3	40143709CMO	ZL1057 30MAR2022



BOM IS FOR REFERENCE ONLY. SEPARATELY SUPPLIED SAP BOM CONTROLS CONTENT

ITEM	PART NO.	DESCRIPTION	QTY.	WEIGHT
1	SW-12	BACKING PLATE, .125" X 2" X 2" W/ 9/16" HOLE	6	0.13 LBS
2	MTC4072-0410-00	PIPE LENGTH 23.88 X 2.875 X .120	3	6.99 LBS
3	MTC4072-0211-00	WOOD POLE MOUNTING LEG .6875	3	17.58 LBS
4	GB-05205	5/8" X 2" GALV BOLT KIT	3	0.26 LBS
5	MT37916	1/2" X 16" GALV THREADED ROD	6	0.88 LBS
6	MTC4072-0240-00	CLAMP MOUNT BRACKET	6	1.13 LBS
7	SAB01	FORMED CLAMP	6	1.35 LBS
8	GUB-4352	1/2" X 3" X 5-1/4" GALV U-BOLT	6	0.71 LBS
9	GB-03125	3/8" X 1-1/4" GALV BOLT KIT	8	0.06 LBS
10	GB-04125	1/2" X 1-1/4" GALV BOLT KIT	6	0.12 LBS
11	GWL-04	1/2" GALV LOCK WASHER	12	0.01 LBS
12	GN-04	1/2" GALV HEX NUT	12	0.04 LBS
13	GWF-05	5/8" GALV FLAT WASHER	15	0.06 LBS
14	MTC4100	TOP PLATE, SMALL CELL WOOD POLE	1	30.73 LBS
15	MT-381-8	5/8" X 8" GALV THREADED ROD	3	0.69 LBS
16	GWL-05	5/8" GALV LOCK WASHER	12	0.03 LBS
17	GN-05	5/8" GALV HEX NUT	12	0.08 LBS
18	GWF04A	1/2" GALV FLAT WASHER (A325)	12	0.02 LBS

DENSITY	0.01	lbs/in ³
MASS	139.51	lbs
VOLUME	10514.12	in ³
SURFACE AREA		in ²
HEIGHT	7	
LENGTH	12	
WIDTH	26	

COMMSCOPE, INC. OF NORTH CAROLINA

TOLERANCES		SAP MATERIAL MASTER	
1 PLACE .X ± .25	3 PLACE .XXX ± 0.06	860662983-1	
2 PLACE .XX ± 0.12	ANGLES ± 2°		
FINISH GALV A123		MATERIAL SEE BOM TABLE	
UNLESS OTHERWISE SPECIFIED DIMENSIONS ARE IN INCHES INTERPRET PER ANSI Y 14.5M-1994	NAME	DATE	TITLE
	CE HDAI	13JUL2021	4G/MMW MOUNT FOR WOOD POLE, 7"-11"
	RW AG1119	04/01/2022	
	RV		
	AD ZL1057	04/01/2022	
RE DM1121	04/01/2022		
ECN 40143709CMO	SCALE 1:16	DOCUMENT NO. 860662983-1	
SIZE C	WORK AREA	INSL	MODEL
	VERSION 01	STATUS RE	REVISION B
	VERSION 02	STATUS RE	REVISION C
		VERSION 02	STATUS RE
		REVISION C	
			SHEET 1 OF 3

4

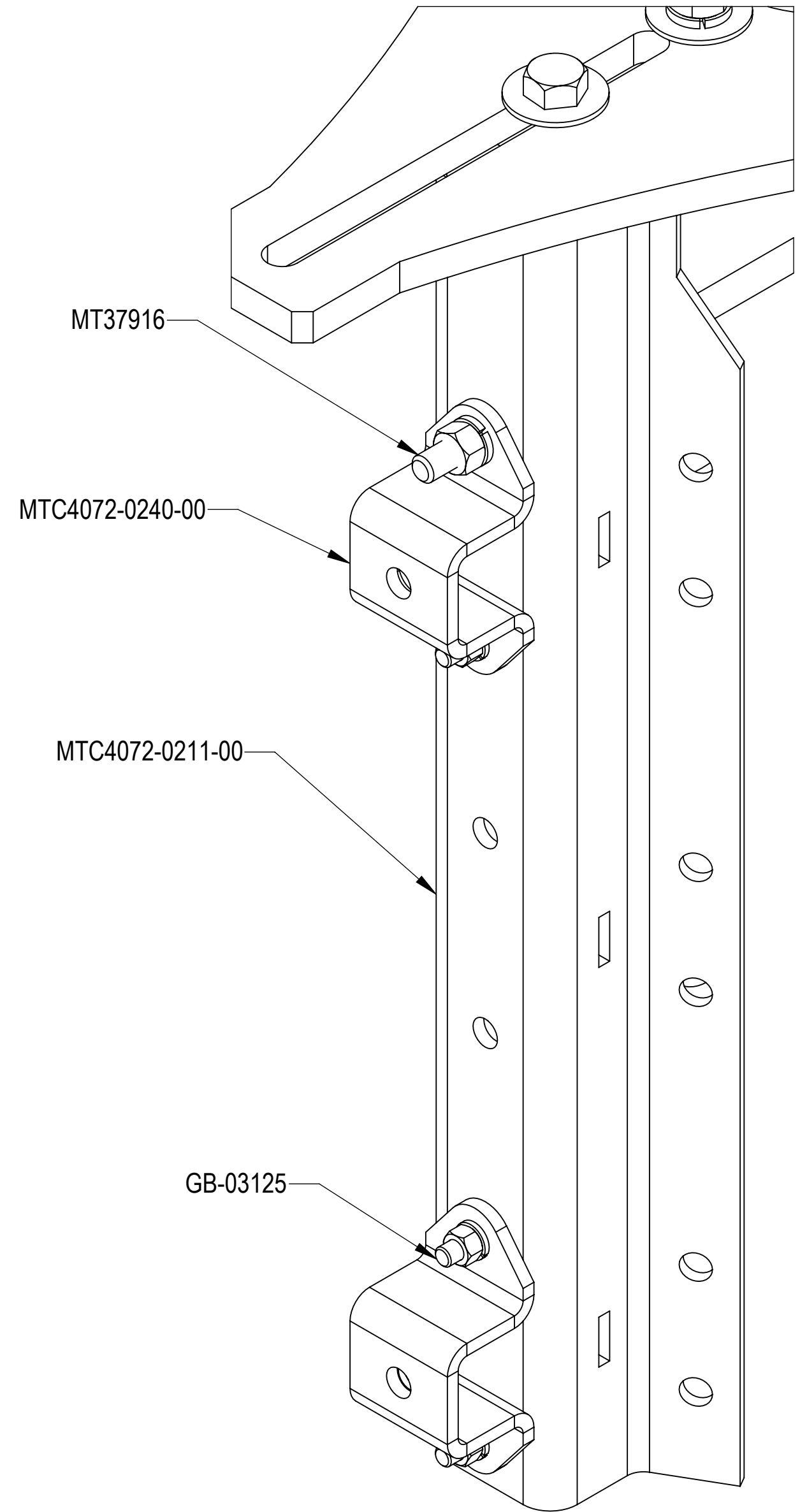
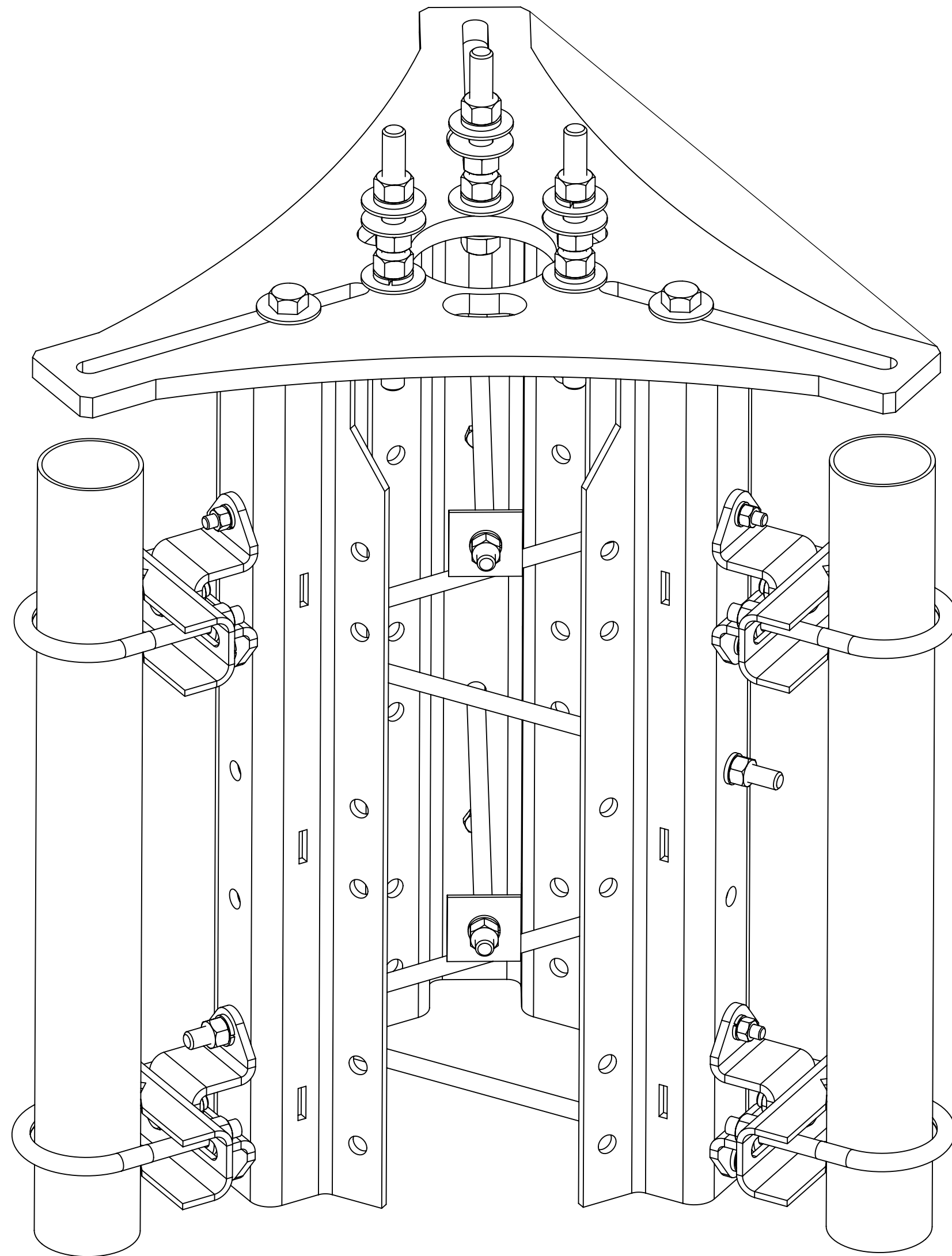
3

2

1

NOTES FOR ASSEMBLING PRODUCT:

1. REVIEW DRAWING AND INSTRUCTIONS CAREFULLY FOR PROPER INSTALLATION
2. USE AT LEAST ONE GB-03125 (3/8" BOLT KIT) TO ATTACH EACH MTC4072-0240-00 (CLAMP MOUNT BRACKET) TO MTC40720211-00 BEFORE INSTALLING ONTO WOOD POLE. ONCE INSTALLED, THIS HARDWARE WILL NOT BE ACCESSIBLE
3. WHEN USING THREADED ROD TO MOUNT PRODUCT TO POLE, THREADED ROD WILL TAKE THE PLACE OF SOME OF THE GB-03125 (3/8" BOLT KIT) USED TO MOUNT MTC4072-0240-00
4. THREADED ROD THAT PENETRATES POLE ALWAYS MAINTAINS A MINIMUM OF 4 INCHES OF SEPARATION
5. REMOVE EXISTING LARGE FLAT WASHERS FROM U-BOLTS AND REPLACE WITH SMALLER, HARDENED FLAT WASHERS, ITEM 18



COMMSCOPE, INC. OF NORTH CAROLINA				
TITLE 4G/MMW MOUNT FOR WOOD POLE, 7"-11"				
SIZE C	SCALE 1:16	DOCUMENT NO. 860662983-1		
DRAWING		SHEET		
VERSION 02	STATUS RE	REVISION C	2 OF 3	

4

3

2

1

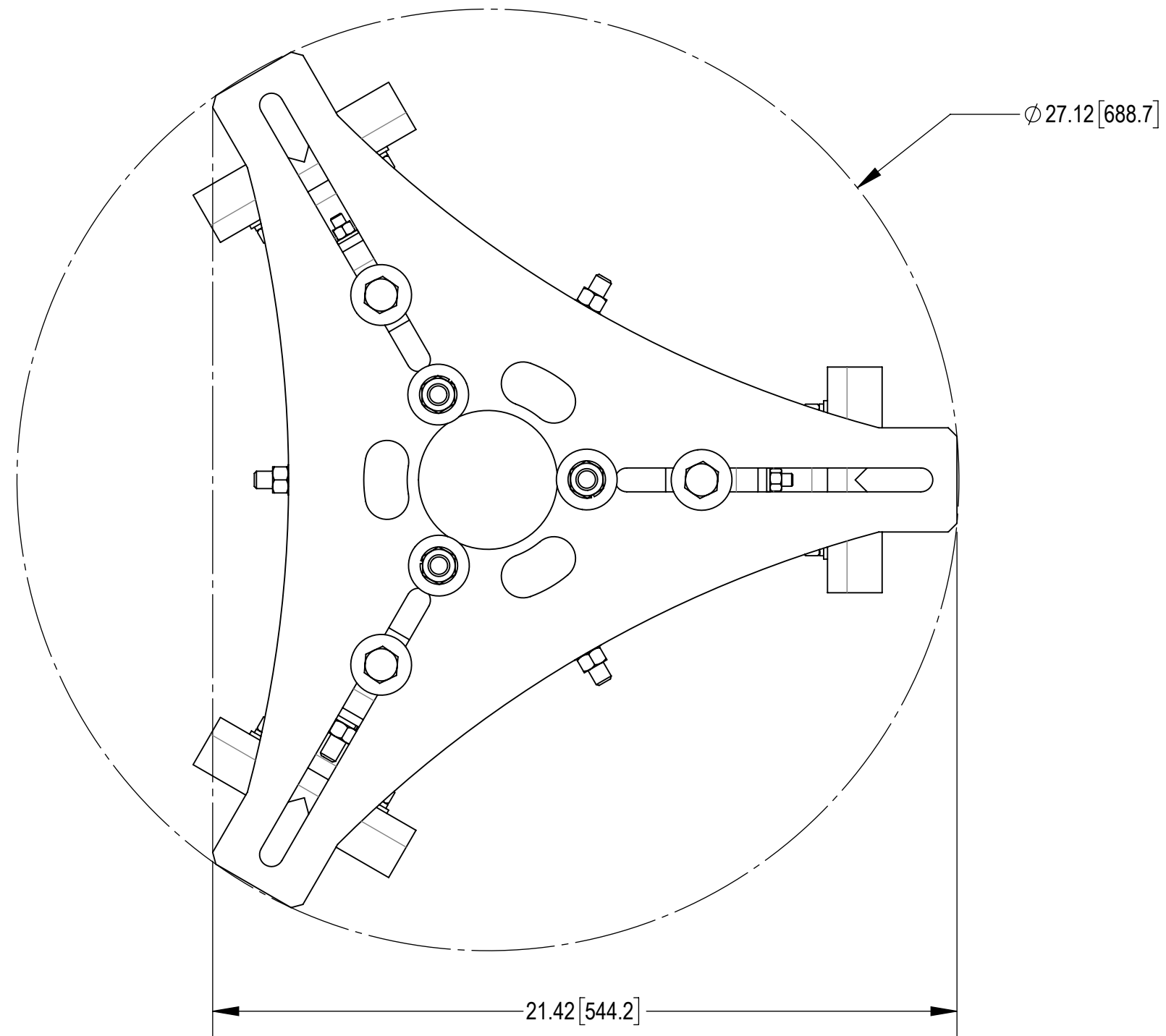
4

3

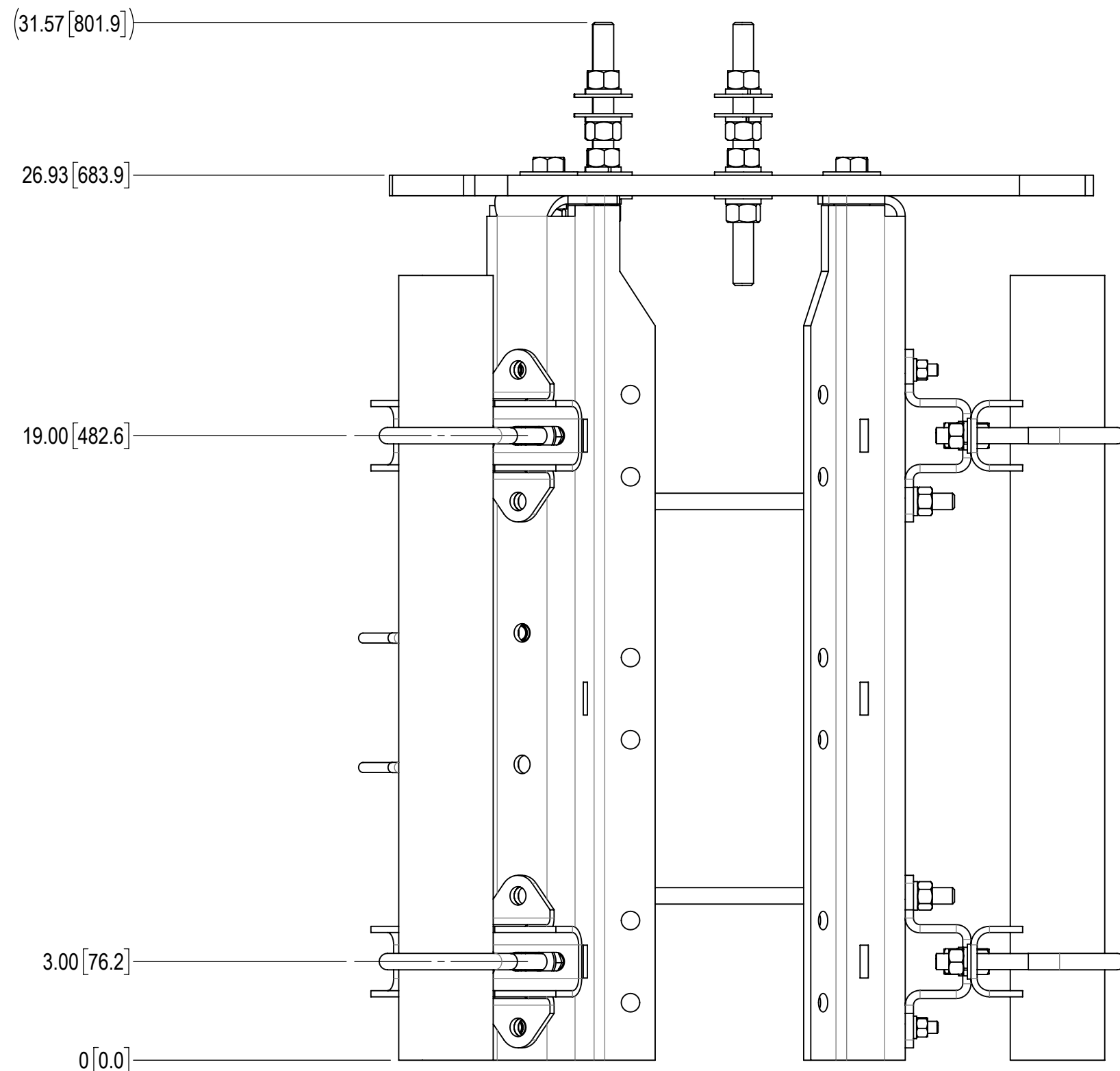
2


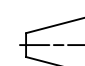
1

NOTES:



**ENVELOPE SIZE AT INSTALLATION
FOR REFERENCE ONLY**



COMMSCOPE, INC. OF NORTH CAROLINA				
TITLE 4G/MMW MOUNT FOR WOOD POLE, 7"-11"				
SIZE C	SCALE 1:16	DOCUMENT NO. 860662983-1		
 		DRAWING		SHEET
		VERSION 02	STATUS RE	REVISION C

© 2021 CommScope, Inc. Confidential

4

3

2

1

D

D

C

C

B

B

A

A