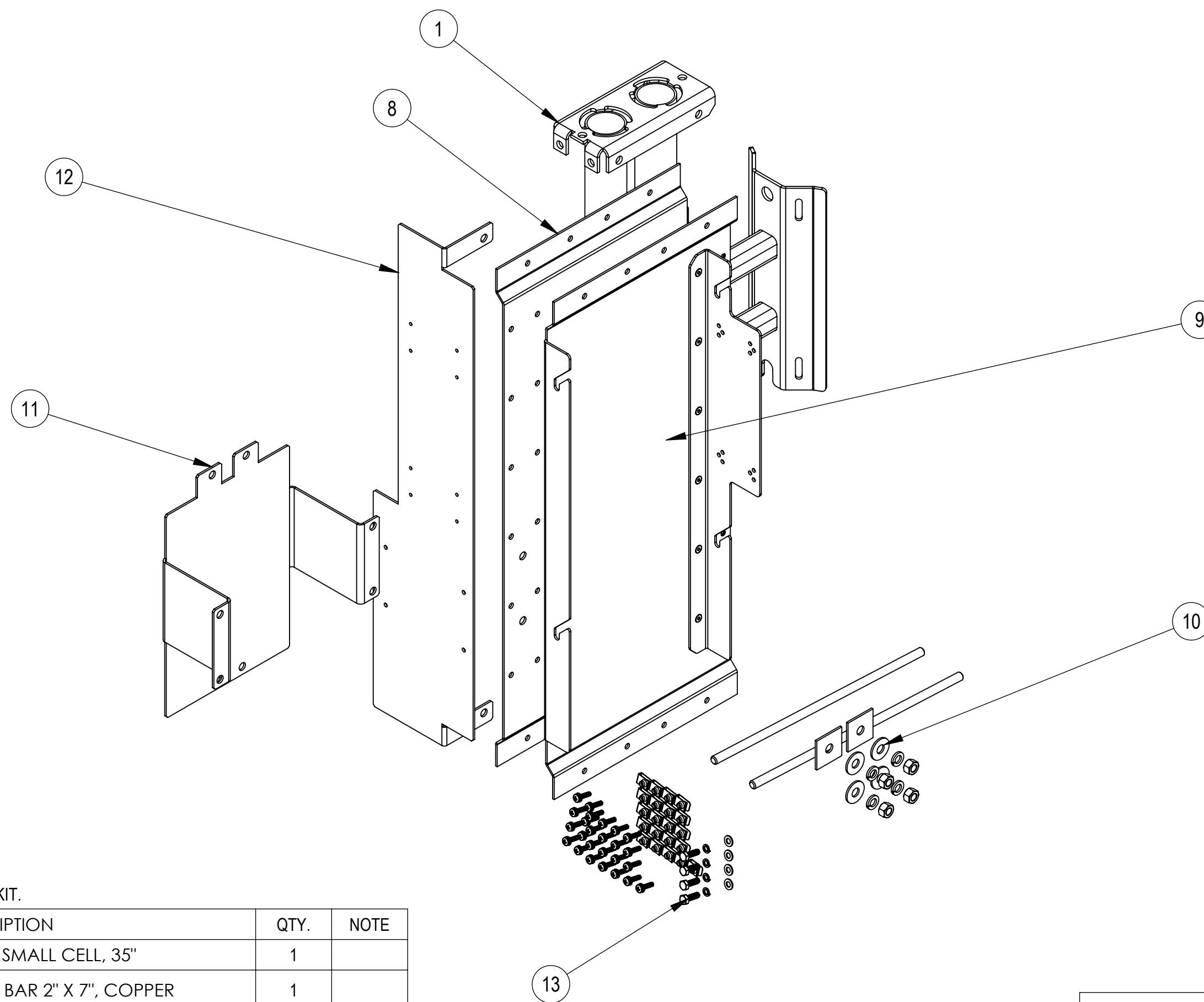


- 1.0 GENERAL NOTES
 1.1 ALL IMPERIAL DIMENSIONS ARE IN BRACKETS [X.XX]
 1.2 FEATURES CRITICAL TO QUALITY ARE INDICATED IN ROUNDED BOX (X.X)
 2.0 DESIGN NOTES
 3.0 MANUFACTURING/SPECIAL REQUIREMENTS
 4.0 TEST
 5.0 PACKAGING
 5.1 PACKAGING SHALL MEET COMMSCOPE REQUIRMENTS PER DOCUMENT IS-PL-3005
 5.2 WRAP THE UNIT IN PROTECTIVE FOAM WRAP BEFORE PACKAGING
 5.3 PACKAGE IN POLYBAG AND PLACE INSIDE THE UNIT FOR SHIPPING
 5.4 PRINTED DOCUMENT TO BE INCLUDED IN THE SHIPPING BOX

REVISIONS			
REV.	DESCRIPTION	DATE	APPROVED
A	INITIAL RELEASE	ZL1057 01DEC22	ZM1026 40161356CMO

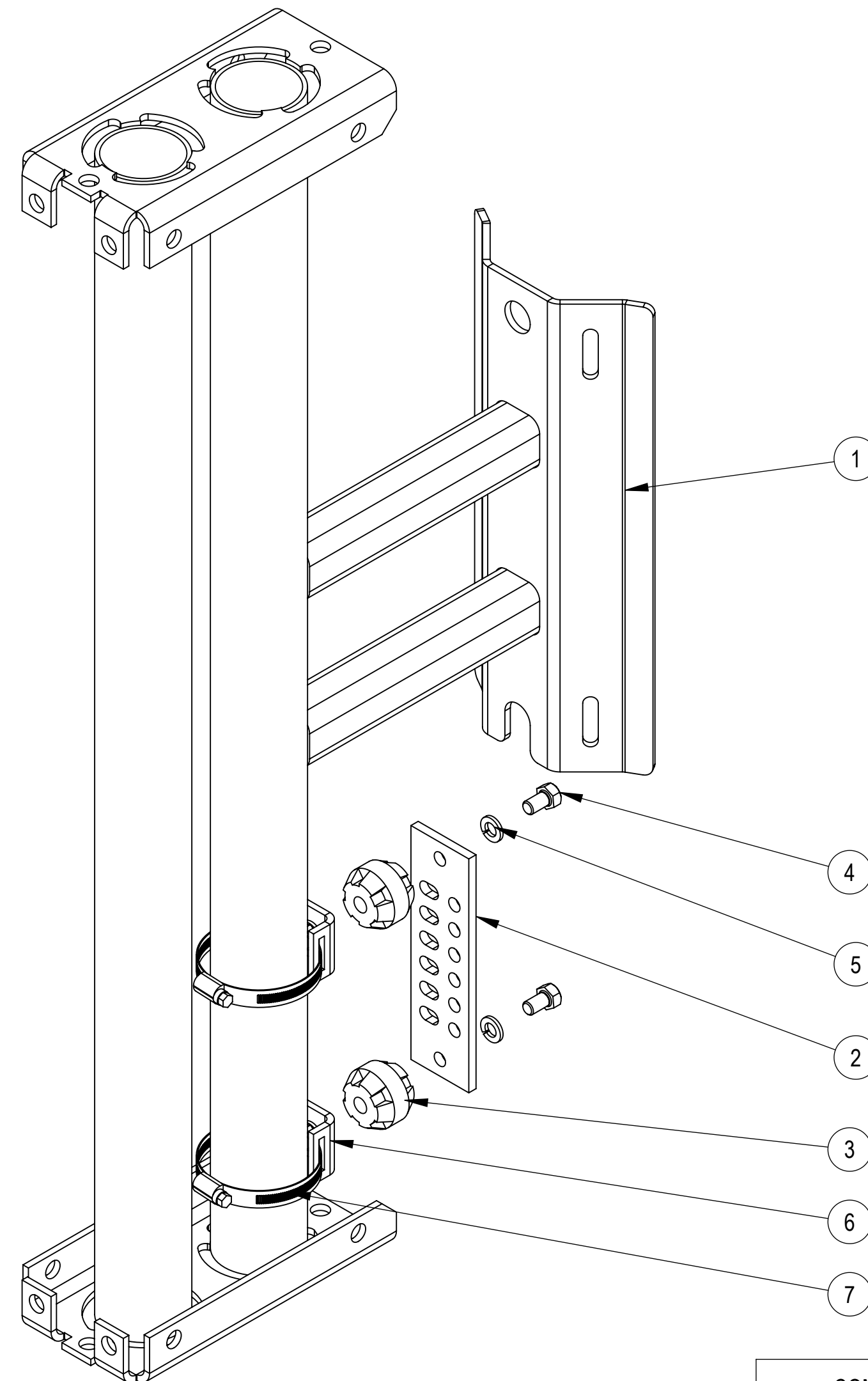
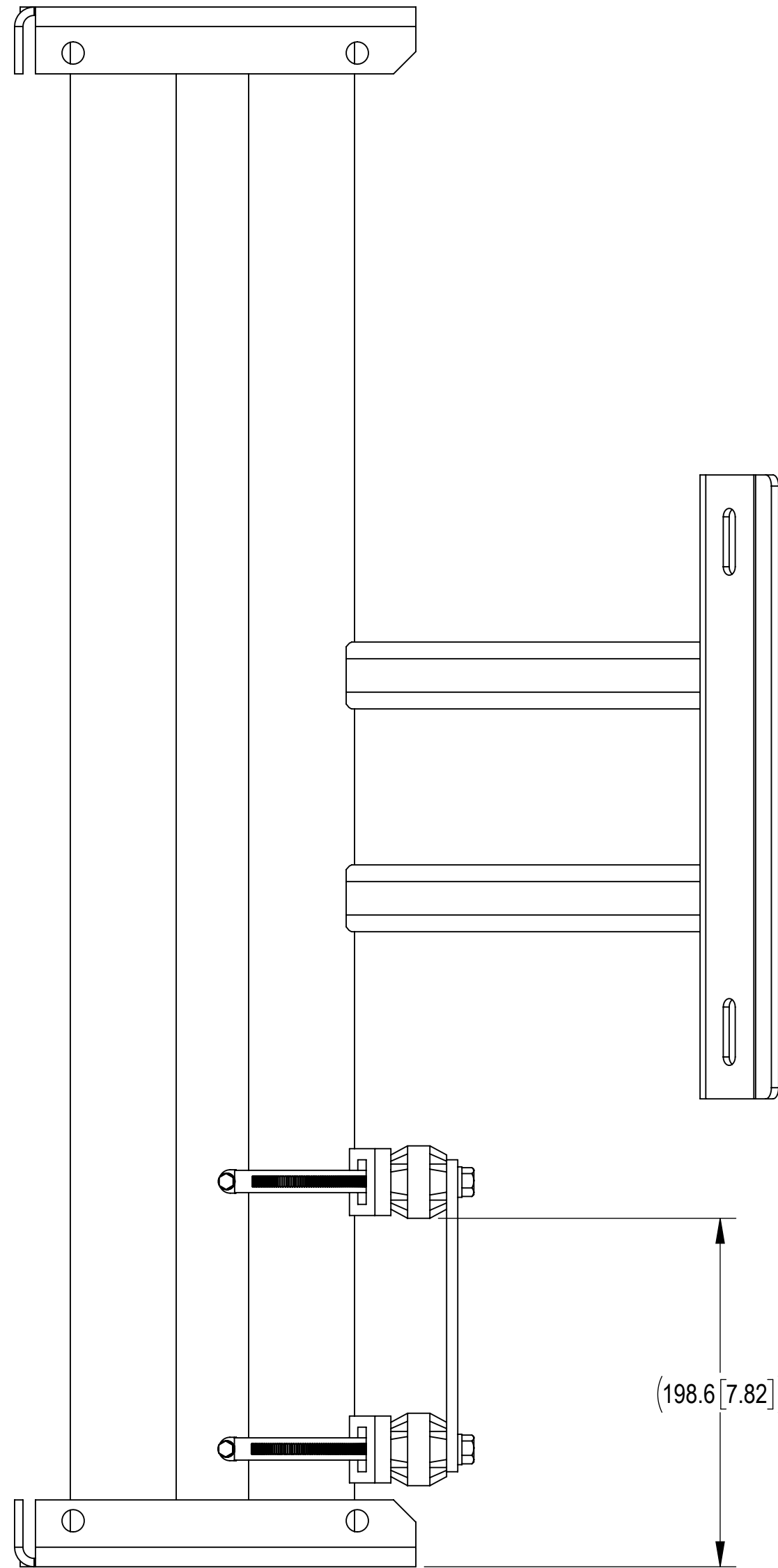


COMPONENT PART NUMBERS PROVIDED FOR ASSEMBLY PURPOSES;
 INDIVIDUAL COMPONENTS MAY BE SHIPPED AS PARTS WITHIN AN INCLUDED KIT.

ITEM NO.	PART NUMBER	DESCRIPTION	QTY.	NOTE
1	MTC38880135	WELDMENT, RRU SMALL CELL, 35"	1	
2	MTC388804	6 POSITION GROUND BAR 2" X 7", COPPER	1	
3	MT520	INSULATOR W/ 3/8" INSERT	2	
4	SB0305	3/8" X 5/8" SS BOLT	4	
5	SWL-03	3/8" SS LOCK WASHER	4	
6	MTC388818	GROUND BAR STRAP BRACKET	2	
7	31670-2S	ROUND MEMBER ADAPTER, 50-75mm, 1EA	2	
8	MTM1152-1100	BASE BRACKET	1	
9	MTM1152-1000	RADIO MOUNT BRACKET ASSY	1	
10	MTM00HK-0031	BACKING PLATE AND HARDWARE KITS	1	5.3
11	MTM1179-1000-CR	APAM MOUNT BRACKET CHRO	1	
12	MTM1179-2000-CR	DIPLEXER AND POD MOUNT BRACKET CHRO	1	
13	MTM1179-3000	WPB NOKIA HARDWARE KIT	1	5.3
8700	760254722NS-INSTALL	INSTRUCTION, WPB,NOK,DUAL-BND,AZHL	1	5.4
9000	SSC-760254722NS	WPB,NOK,DUAL-BND,AZHL	1	5.4

COMMSCOPE, INC. OF NORTH CAROLINA

TOLERANCES		SAP MATERIAL MASTER	
0 PLACE X[.X] ± 6[0.25]	2 PLACE .XX[.XXX] ± 1.50[0.06]	SSC-760254722NS	
1 PLACE .X[.XX] ± 3.0[0.12]	ANGLES ± 2°		
FINISH SEE BOM		MATERIAL	
<small>UNLESS OTHERWISE SPECIFIED DIMENSIONS ARE IN MILLIMETERS INTERPRET PER ANSI Y 14.5M-1994</small>		NAME	DATE
		CE ZL1057	01DEC22
		RW ZL1057	12/22/2022
		AD ZM1026	12/29/2022
TITLE		WPB,NOK,DUAL-BND,AZHL	
RE ZM1026	01/03/2023		
ECN 40161356CMO		SCALE	DOCUMENT NO.
		1:10	SSC-760254722NS
HEIGHT	466.8[18.38]	SIZE	Auth Group INSL
LENGTH	920.8[36.25]	A2	MODEL
WIDTH	616.0[24.25]		VERSION STATUS REVISION
		00 RE	A
		VERSION STATUS REVISION	VERSION STATUS REVISION
		00 RE	A
		SHEET 1 OF 2	



GROUND BAR INSTALLATION

COMMSCOPE, INC. OF NORTH CAROLINA				
TITLE WPB,NOK,DUAL-BND,AZHL				
SIZE A2	SCALE 1:10	DOCUMENT NO. SSC-760254722NS		
DRAWING				SHEET
VERSION 00	STATUS RE	REVISION A	2 OF 2	

© 2022 CommScope, Inc. Confidential